

Hydraulic lift crane

**LR 1100**  
Litronic®

1001.02



**LIEBHERR**

# Concept and characteristics



## LR 1100 Standard

- Excellent lifting capacities thanks to optimized distribution of forces
- New cabin with improved and ergonomic operating concept
- Convenient ladder to access the cabin
- Optimized air-conditioning and airflow in the cabin
- Catwalks and optional railings on uppercarriage and cabin
- Transport possible with mounted boom foot and crawlers
- Foldable catwalks remain with the machine during transportation
- Optional railings can be disassembled in a few steps using pin connections

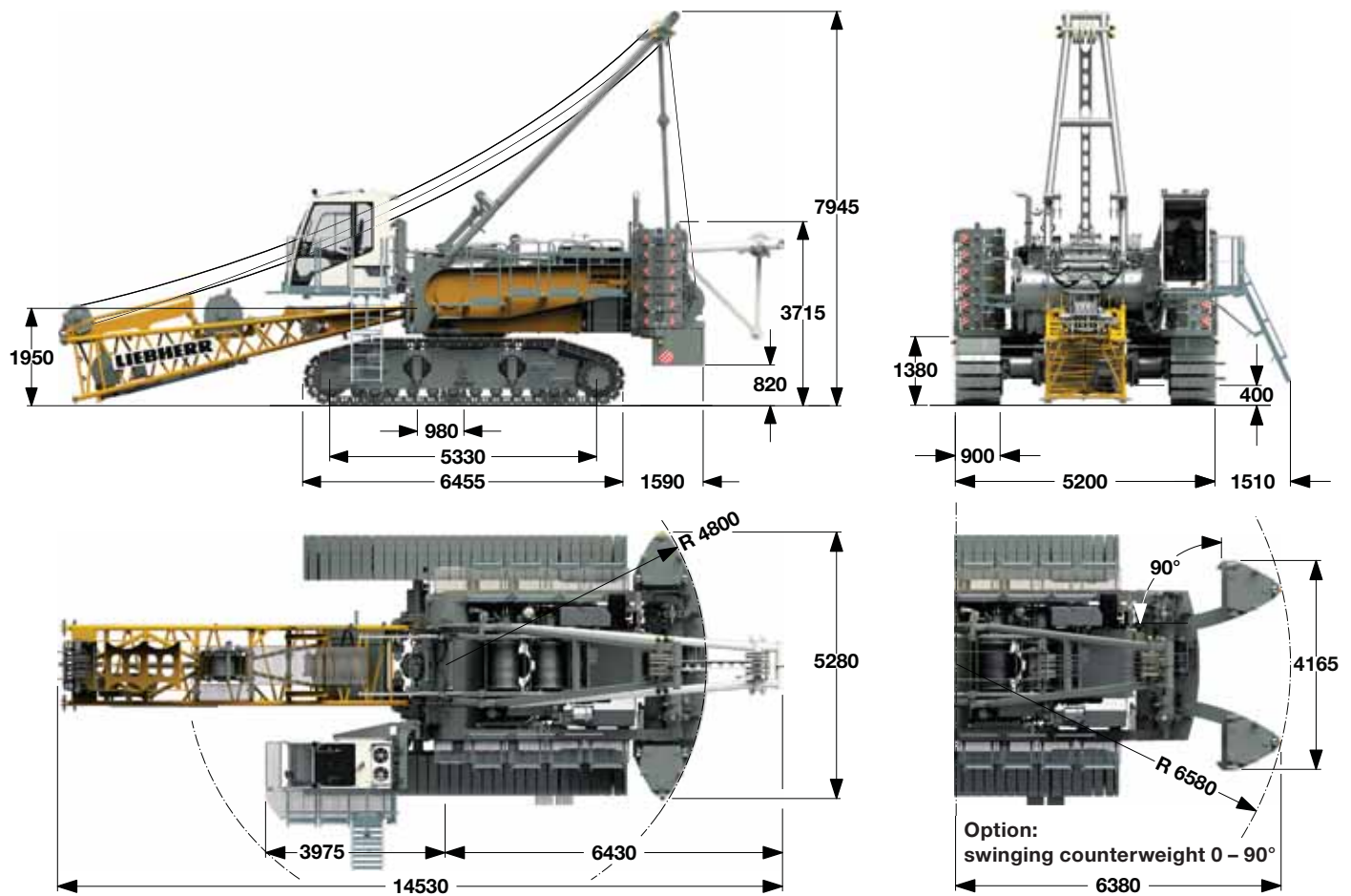


### **Option: LR 1100 with swinging counterweight**

- Up to 20% increase in lifting capacities where tilting is the limiting factor
- Larger radii thanks to improved stability
- Function of swinging counterweight: the rear counterweight splits in the centre and is swung backwards to a max. angle of 90°. The counterweight can adopt any position within this angle range. The optimized lifting capacities are calculated online in real time via the LMI system and displayed in the operator's cab.
- Easy and quick adaptation of the counterweight to the lifting requirements
- Swinging counterweight requires less counterweight – swinging back leads to improved ground pressure and similar lifting capacities to those with full counterweight in standard position can be achieved.
- Swinging the counterweight back makes the machine narrower – this allows the machine to pass through narrow spaces.
- For increased lifting capacities the swinging counterweight can also be added to other LR 1100 with standard counterweight

# Dimensions

Basic machine with undercarriage



## Operating weight

The operating weight includes the basic machine with crawlers, 2 main winches 120 kN and 14 m main boom, consisting of A-frame, boom foot (7 m), boom head (7 m), 34 t basic counterweight, 20 t carbody counterweight and 100 t hook block.

Total weight \_\_\_\_\_ approx. 115.8 t

## Ground pressure

The actual ground pressure is calculated according to the configuration and position of the machine and displayed in the operator's cab.

Using the optional Liebherr Crane-Planner the actual ground pressure, amongst other parameters, can already be calculated and displayed in the planning stage.

## Equipment

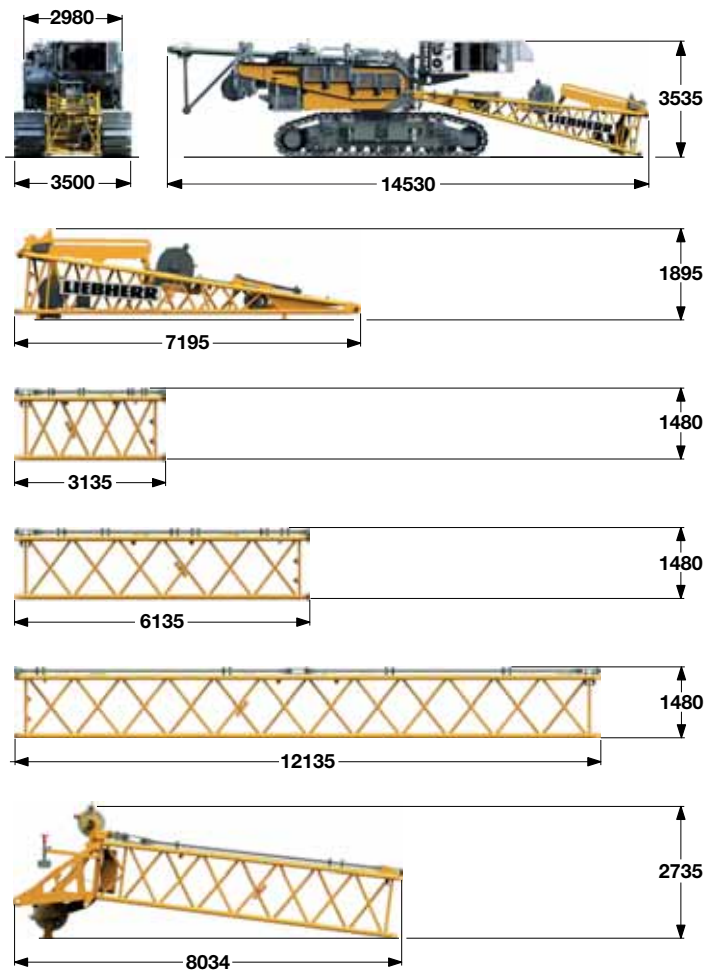
Main boom (No. 1512.xx) max. length \_\_\_\_\_ 71 m  
 Luffing jib (No. 1309.xx) max. length \_\_\_\_\_ 66.8 m  
 Max. combination \_\_\_\_\_ main boom 38 m and luffing jib 66.8 m  
 Fixed jib (No. 0806.xx) \_\_\_\_\_ 32 m  
 Auxiliary jib \_\_\_\_\_ 30 t

## Remarks

1. The lifting capacities stated are valid for lifting operation only (corresponding with crane classification according to F.E.M. 1.001. crane group A1).
2. Crane standing on firm, horizontal ground.
3. The weight of the lifting device (hoisting ropes, hook block, shackle etc.) must be deducted from the gross lifting capacity to obtain a net lifting value.
4. Additional equipment on boom (e.g. boom walkways, auxiliary jib) must be deducted to get the net lifting capacity.
5. For max. wind speed please refer to lift chart in operator's cab or manual.
6. Working radii are measured from center of swing and under load.
7. The lifting capacities are valid for 360 degrees of swing.
8. Calculation of stability under load is based on DIN 15019 / part 2 / chart 1 and ISO 4305 Table 1 + 2, tipping angle 4°.
9. The structures are calculated according to F.E.M. 1.001 - 1998 (EN 13001-1; EN 13001-2).

# Transport dimensions and weights

Basic machine and boom (No. 1512.xx)



## Basic machine

with A-frame, 2x 120 kN crane winches, boom foot and crawlers, without basic counterweight

Width	3500 mm
Weight without hoist rope	55200 kg
Weight of hoist rope	3.42 kg/m

## Boom foot (No. 1512.24)

Width	1925 mm
Weight without winch	2300 kg
Weight incl. winch and rope	3500 kg

## Boom section (No. 1512.22) 3 m

Width	1660 mm
Weight incl. main boom pendants	480 kg
Weight incl. main boom and luffing jib pendants	580 kg

## Boom section (No. 1512.22) 6 m

Width	1660 mm
Weight incl. main boom pendants	770 kg
Weight incl. main boom and luffing jib pendants	920 kg

## Boom section (No. 1512.22) 12 m

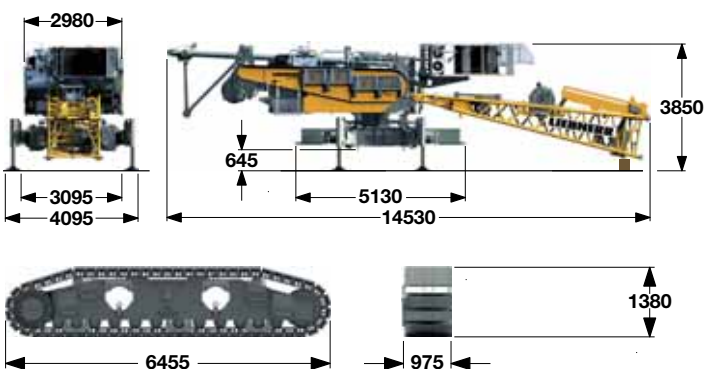
Width	1660 mm
Weight incl. main boom pendants	1400 kg
Weight incl. main boom and luffing jib pendants	1660 kg

## Boom head (No. 1512.22)

Width	1750 mm
Weight incl. main boom pendants	2370 kg

# Transport options

Basic machine and crawlers



## Basic machine

with A-frame, 2x 120 kN crane winches, boom foot, without basic counterweight and crawlers

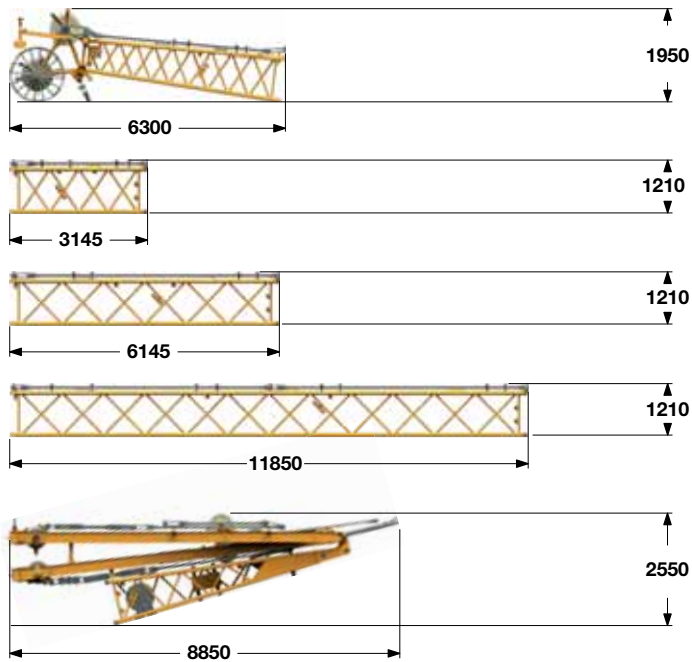
Width	2980 mm
Weight without hoist rope	35000 kg
Weight of hoist rope	3.42 kg/m

## Crawler

	2x
	Standard
Track pads	900 mm
Width	975 mm
Weight	10100 kg

# Transport dimensions and weights

## Luffing jib (No. 1309.xx)



\*) Including pendants

### Luffing jib head (No. 1309.22)

Width	1390 mm
Weight*	1090 kg

### Luffing jib section (No. 1309.20) 3 m

Width	1390 mm
Weight*	305 kg

### Luffing jib section (No. 1309.20) 6 m

Width	1390 mm
Weight*	510 kg

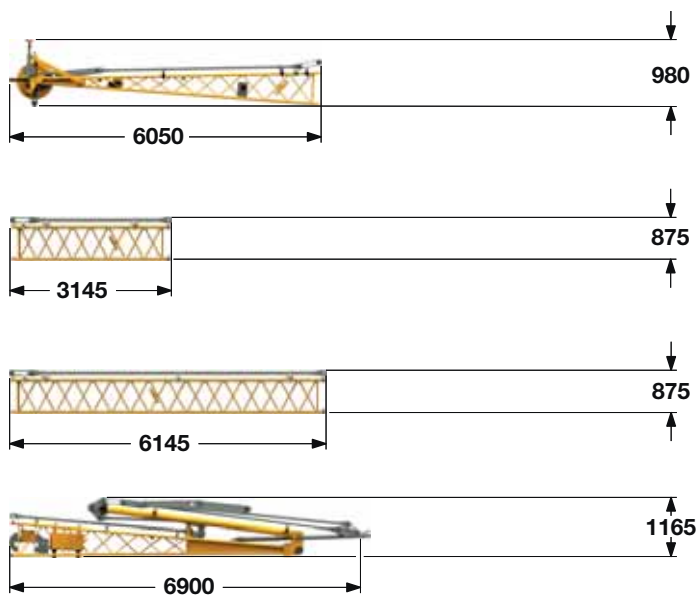
### Luffing jib section (No. 1309.20) 12 m

Width	1390 mm
Weight*	945 kg

### Luffing jib foot with A-frames (No. 1309.22)

Width	1625 mm
Weight*	4170 kg

## Fixed jib (No. 0806.xx)



\*) Including pendants

### Fixed jib head (No. 0806.16)

Width	930 mm
Weight*	440 kg

### Fixed jib section (No. 0806.15) 3 m

Width	930 mm
Weight*	145 kg

### Fixed jib section (No. 0806.15) 6 m

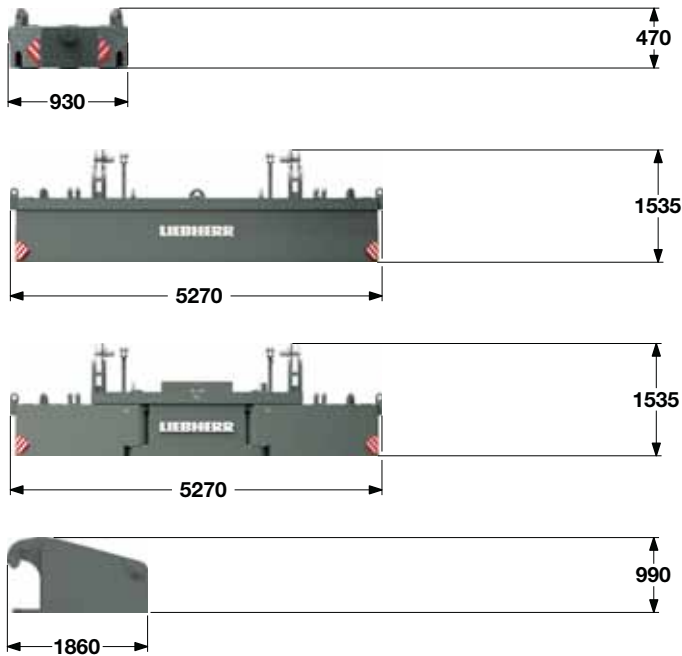
Width	930 mm
Weight*	250 kg

### Fixed jib foot with A-frame (No. 0806.20)

Width	1680 mm
Weight*	1060 kg

# Transport dimensions and weights

## Counterweight



### Counterweight 12x

Width	945 mm
Weight	1500 kg

### Standard counterweight 1x

Width	1475 mm
Weight	16000 kg

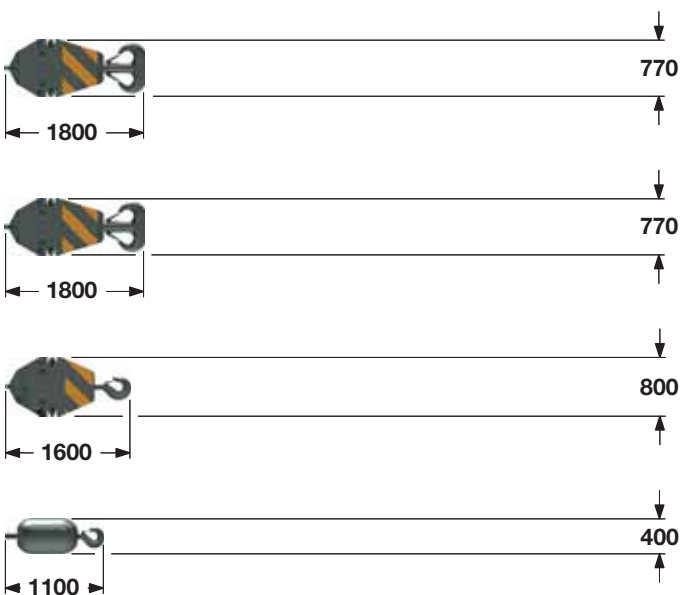
### Swinging counterweight optional 1x

Width	1475 mm
Weight	16000 kg

### Carbody counterweight 2x

	Standard
Width	1460 mm
Weight	10000 kg

## Hooks



### 100 t hook block – 5 sheaves

Width	540	640	700 mm
Weight	1300	1800	2300 kg

### 80 t hook block – 3 sheaves

Width	360	460	560 mm
Weight	1000	1500	2000 kg

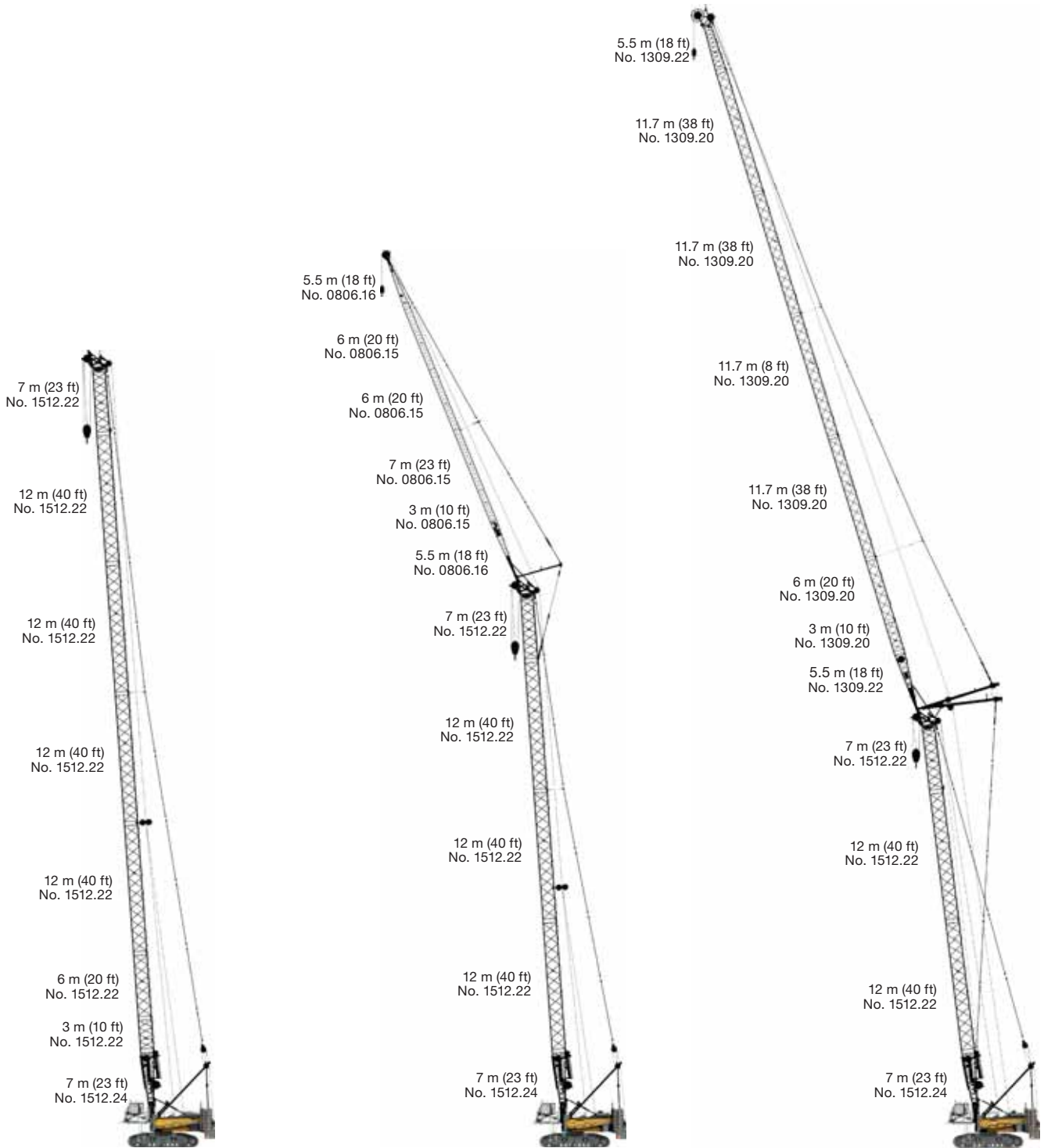
### 40 t hook block – 1 sheave

Width	300	400	500 mm
Weight	700	1100	1500 kg

### 12.5 t single hook

Width	400 mm
Weight	600 kg

# Boom combinations



Main boom No. 1512.xx — 71 m

Max. combination — 85 m

Max. combination — 104.8 m

Main boom No. 1512.xx — 53 m

Main boom No. 1512.xx — 38.0 m

Fixed jib No. 0806.xx — 32 m

Luffing jib No. 1309.xx — 66.8 m

Max. combination — 98.8 m

Main boom No. 1512.xx — 41.0 m

Luffing jib No. 1309.xx — 57.8 m



# Technical description



## Engine

Power rating according to ISO 9249, 230 kW (308 hp) at 1700 rpm  
Engine type — Liebherr D 944 A7 SCR  
Fuel tank — 800 l capacity with continuous level indicator and reserve warning  
Engine complies with NRMM exhaust certification EPA/CARB Tier 4f and 97/68 EC Stage IV.



## Hydraulic system

A double axial displacement pump supplies the open loop hydraulic system, allowing all functions to be operated simultaneously. To minimize peak pressure an automatic working pressure cut-off is integrated in the pump. All filters are electronically monitored. The use of synthetic environmentally friendly (biodegradable) oils is possible.  
Working pressure — max. 350 bar  
Oil tank capacity — 860 l



## Luffing jib winch

Line pull — max. 105 kN  
Rope diameter — 20 mm  
Jib luffing — 46 sec. from 15° to 78°



## Boom winch

Line pull — max. 116 kN  
Rope diameter — 20 mm  
Boom luffing — 44 sec. from 15° to 86°



## Swing

Consists of rollerbearing with external teeth, swing drive with fixed axial piston hydraulic motor, spring loaded and hydraulically released multi-disc holding brake, planetary gearbox and pinion.  
Both swing modes are possible – speed control or free swing.  
A multi-disc holding brake acts automatically at zero swing motion.  
Swing speed from 0 – 1.5 rpm continuously variable.



## Main winches

Line pull (4th layer) — 120 kN  
Rope diameter — 26 mm  
Diameter (1st layer) — 580 mm  
Rope speed — 0 – 136 m/min  
Rope capacity in 4 layers — 256 m

The winches are outstanding in their compact design and easy assembly.

Propulsion is via a planetary gearbox in an oil bath.

Load support by the hydraulic system; additional safety factor provided by a spring loaded, multi-disc holding brake.

The main winches use pressure controlled, variable flow hydraulic motors.

This system features sensors that automatically adjust oil flow to provide max. winch speed depending on load.

Option – winch with free-fall system:

Clutch and braking functions on the free-fall system are provided by a compact designed, low wear and maintenance-free multi-disc brake.



## Control

The heart of the hydraulic crawler cranes is the Liebherr control system which has been developed and manufactured in-house. It includes all control and monitoring functions and is designed to withstand extreme environmental conditions and heavy duty construction tasks. Complete machine operating data as well as warning signals and irregularities are clearly displayed on the high resolution monitor in the operator's cab in the required language.

The electro-hydraulic proportional control allows several movements to be performed simultaneously. This ensures that all categories of loads can be positioned with utmost precision.



## Crawlers

Propulsion through axial piston motor, hydraulically released spring loaded multi-disc brake, crawler tracks, hydraulic chain tensioning device.

Track pads — 900 mm  
Drive speed — 0 – 1.35 km/h



## Noise emission

Noise emissions correspond with 2000/14/EC directive.

Guaranteed sound pressure level  $L_{PA}$  in the cabin —  $\leq 71$  dB(A)

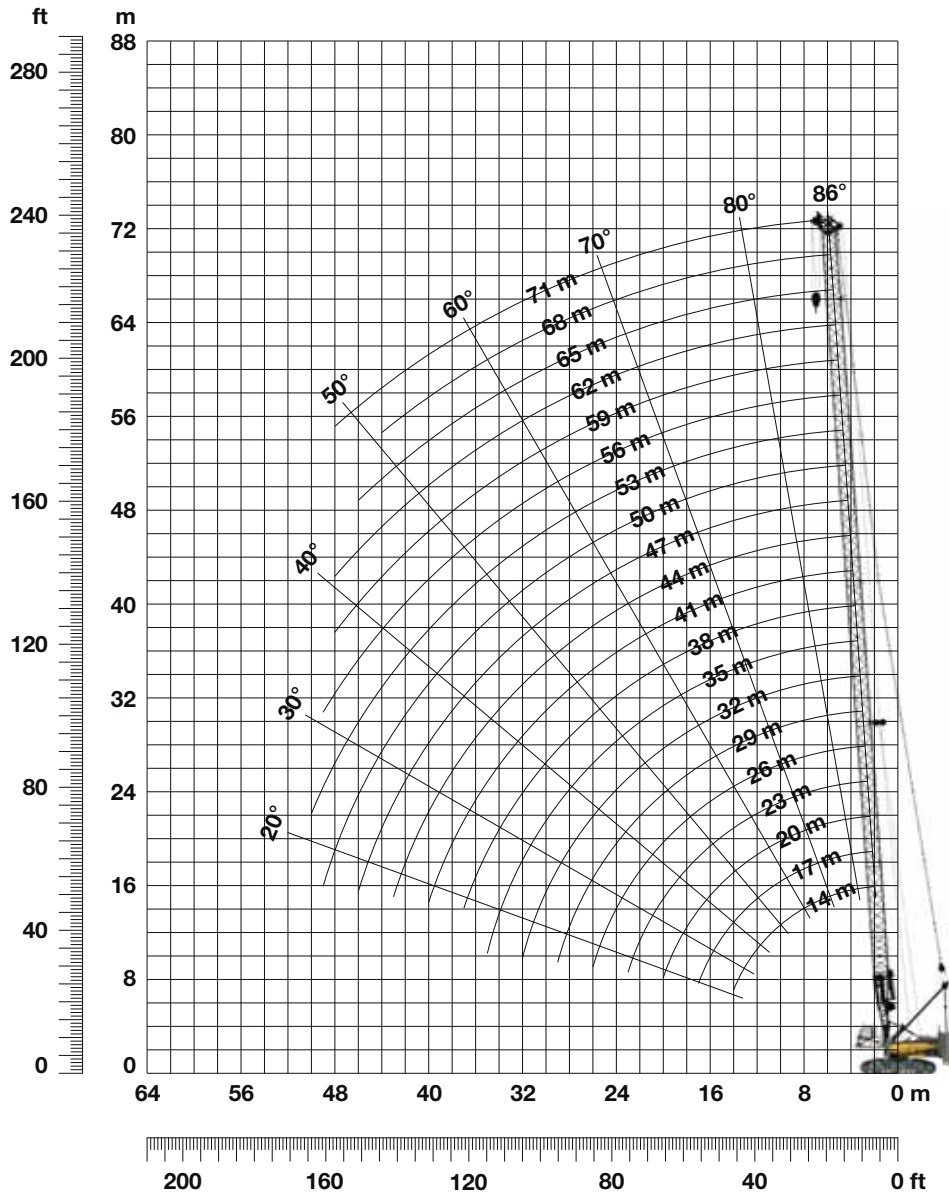
Guaranteed sound power level  $L_{WA}$  —  $\leq 106$  dB(A)

Vibration transmitted to the hand-arm system of the machine operator —  $< 2.5$  m/s<sup>2</sup>

Vibration transmitted to the whole body of the machine operator —  $< 0.5$  m/s<sup>2</sup>

# Main boom 86° - 15° (No. 1512.xx)

34 t counterweight and 20 t carbody counterweight



Auxiliary jib 30 t



The maximum capacity of the auxiliary jib is 30 t. The corresponding load chart is programmed in the LMI system.

## Main boom configuration (No. 1512.xx)

Configuration for boom lengths between 14 m and 71 m

	Length	Amount of boom extensions																						
Boom foot	7 m	1	1	1	1	1	1	1	1	1	1	1	1	1	1	1	1	1	1	1				
Boom insert	3 m		1		1		1		1		1		1		1		1		1					
Boom insert	6 m			1	1		1	1		1		1		1		1		1		1				
Boom insert	12 m					1	1	1	1		2	2	2	2		3	3	3	3		4	4	4	4
Boom head	7 m	1	1	1	1	1	1	1	1	1	1	1	1	1	1	1	1	1	1	1	1	1	1	1
Boom length (m)		14	17	20	23	26	29	32	35	38	41	44	47	50	53	56	59	62	65	68	71			

# Lift chart for main boom (No. 1512.xx)

TLT 11279385 - M00000 Offiziell

34 t counterweight and 20 t carbody counterweight

Capacities in metric tonnes for boom lengths (14 m - 71 m) – with 120 kN winches

Radius (m)	Boom length in (m)																			Radius (m)	
	14	17	20	23	26	29	32	35	38	41	44	47	50	53	56	59	62	65	68		71
3	100.0																				3
4	100.0	99.7	96.2	91.7	86.3	82.1															4
5	91.7	86.8	82.4	78.4	74.7	71.4	67.4	60.8	53.5	48.3	41.9										5
6	72.8	69.6	66.6	63.8	61.3	59.0	56.7	54.7	50.5	46.1	40.8	40.6	34.3	30.7	27.2						6
7	60.3	57.9	55.8	53.7	51.9	50.1	48.4	46.8	45.3	43.8	39.0	39.3	33.2	30.0	26.8	24.4	21.8	19.3	17.6	16.2	7
8	49.8	49.5	47.9	46.3	44.9	43.4	42.1	40.8	39.6	38.5	36.8	36.3	32.3	29.2	25.9	23.6	21.2	18.9	17.4	16.1	8
9	42.1	42.1	41.8	40.5	39.4	38.3	37.2	36.1	35.1	34.2	33.2	32.3	31.3	28.3	25.2	23.0	20.7	18.4	16.9	15.6	9
10	36.4	36.4	36.4	36.0	35.1	34.1	33.2	32.3	31.5	30.6	29.8	29.0	28.3	27.5	24.4	22.2	20.2	18.0	16.6	15.1	10
12	28.4	28.4	28.4	28.3	28.3	27.9	27.2	26.5	25.9	25.2	24.6	24.0	23.4	22.9	22.3	21.0	19.3	17.1	15.7	14.3	12
14	23.1	23.1	23.1	23.0	23.0	22.9	22.8	22.3	21.8	21.3	20.8	20.3	19.8	19.3	18.9	18.4	18.0	16.5	15.0	13.6	14
16		19.3	19.3	19.2	19.2	19.1	19.0	18.9	18.7	18.3	17.9	17.4	17.0	16.6	16.2	15.8	15.1	14.6	14.1	13.0	16
20			14.2	14.2	14.2	14.1	14.0	13.9	13.8	13.7	13.6	13.3	12.8	12.4	12.0	11.7	11.2	10.8	10.3	9.9	20
22				12.4	12.4	12.3	12.2	12.1	12.1	12.0	11.9	11.7	11.3	10.9	10.6	10.2	9.7	9.3	8.9	8.5	22
26					9.8	9.7	9.6	9.5	9.4	9.3	9.2	9.1	8.9	8.6	8.3	7.9	7.5	7.2	6.8	6.4	26
28						8.7	8.6	8.5	8.4	8.3	8.2	8.0	7.9	7.7	7.4	7.0	6.7	6.3	6.0	5.6	28
32							6.9	6.8	6.8	6.6	6.5	6.4	6.3	6.2	5.9	5.6	5.3	5.0	4.6	4.3	32
34								6.1	6.1	6.0	5.9	5.7	5.6	5.5	5.3	5.0	4.7	4.4	4.1	3.8	34
38									5.0	4.8	4.7	4.6	4.5	4.4	4.2	4.1	3.8	3.5	3.2	2.9	38
40										4.4	4.3	4.1	4.0	3.9	3.8	3.6	3.4	3.1	2.8	2.5	40
44											3.4	3.3	3.2	3.1	3.0	2.8	2.7	2.4	2.2		44
46												3.0	2.9	2.7	2.6	2.5	2.4	2.1			46
48													2.5	2.4	2.3	2.2	2.0				48
50														2.1							50

34 t swinging counterweight 90° and 20 t carbody counterweight

Capacities in metric tonnes for boom lengths (14 m - 71 m) – with 120 kN winches

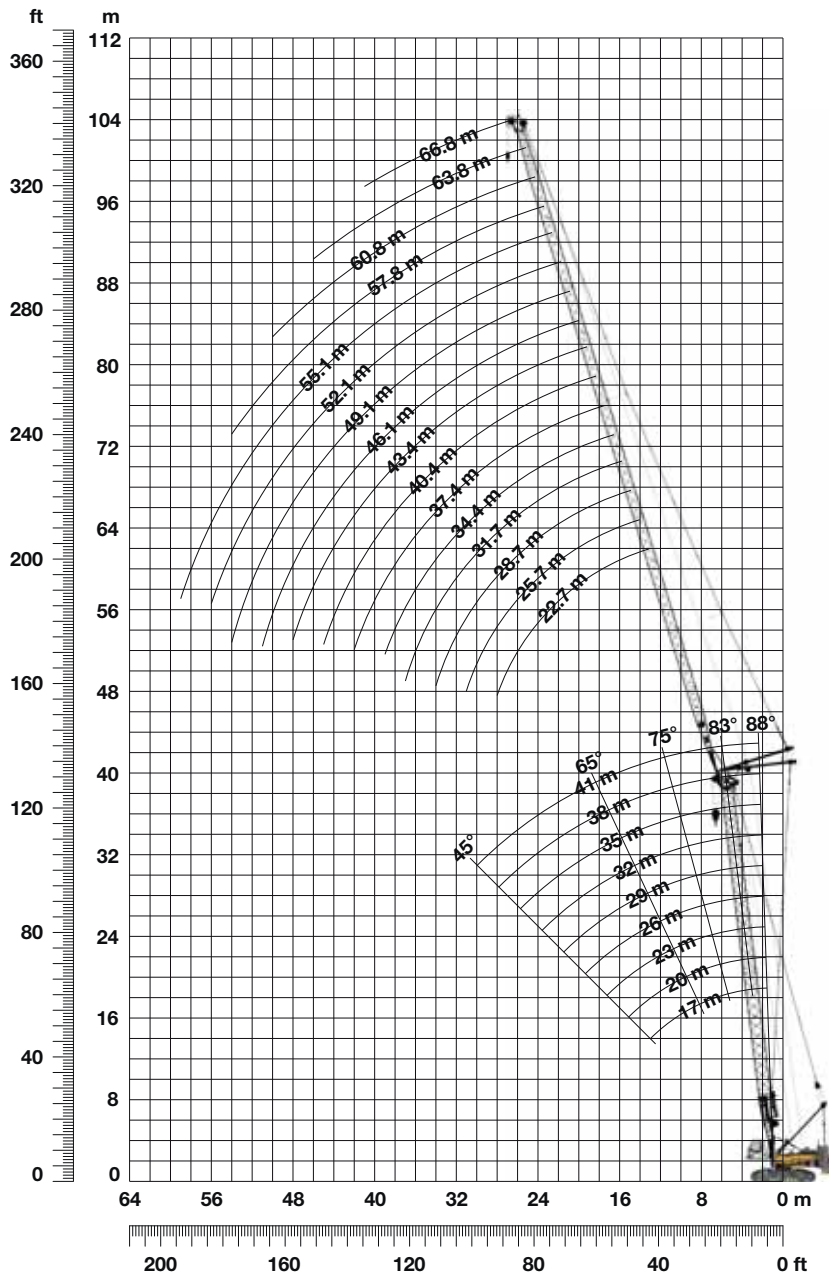
Radius (m)	Boom length in (m)																			Radius (m)	
	14	17	20	23	26	29	32	35	38	41	44	47	50	53	56	59	62	65	68		71
6.7																			17.6		6.7
7																	21.8	19.3	17.6	16.2	7
8														29.2	25.9	23.6	21.2	18.9	17.4	16.1	8
9											34.8	36.2	31.3	28.3	25.2	23.0	20.7	18.4	16.9	15.6	9
10									35.7	34.8	33.4	33.0	30.5	27.5	24.4	22.2	20.2	18.0	16.6	15.1	10
12					31.9	31.6	30.9	30.1	29.4	28.7	28.1	27.4	26.8	26.1	23.2	21.0	19.3	17.1	15.7	14.3	12
14	26.1	26.1	26.1	26.0	26.0	25.9	25.8	25.4	24.9	24.3	23.8	23.2	22.7	22.2	21.3	19.7	18.4	16.5	15.0	13.6	14
16		21.9	21.9	21.8	21.8	21.7	21.6	21.5	21.4	21.0	20.5	20.0	19.6	19.1	18.7	18.3	17.2	15.5	14.2	13.0	16
20			16.2	16.2	16.2	16.1	16.0	15.9	15.8	15.7	15.5	15.4	14.9	14.5	14.1	13.7	13.2	12.7	12.3	11.8	20
22				14.2	14.2	14.1	14.0	13.9	13.8	13.7	13.6	13.4	13.2	12.8	12.4	12.0	11.6	11.2	10.8	10.4	22
26					11.3	11.2	11.1	11.0	10.9	10.8	10.7	10.5	10.5	10.2	9.9	9.5	9.1	8.8	8.4	8.0	26
28						10.0	10.0	9.8	9.8	9.7	9.5	9.4	9.3	9.2	8.9	8.5	8.2	7.8	7.4	7.1	28
32							8.1	8.0	8.0	7.8	7.7	7.6	7.5	7.3	7.2	6.9	6.6	6.2	5.9	5.6	32
34								7.3	7.2	7.1	7.0	6.8	6.7	6.6	6.5	6.3	5.9	5.6	5.3	5.0	34
38									6.0	5.8	5.7	5.6	5.5	5.4	5.2	5.1	4.9	4.6	4.3	4.0	38
40										5.3	5.2	5.1	5.0	4.8	4.7	4.6	4.4	4.1	3.8	3.5	40
44											4.3	4.2	4.1	3.9	3.8	3.7	3.6	3.4	3.1	2.8	44
46												3.8	3.7	3.6	3.4	3.3	3.2	3.0	2.8	2.5	46
48													3.3	3.2	3.1	2.9	2.8	2.7	2.5	2.2	48
50														2.9	2.7	2.6	2.5	2.4	2.2		50
55															2.0						55

Above lift chart is for reference only.

For actual lift duty and complete chart with all available configurations please refer to lift chart in operator's cab or manual.

# Working range - luffing jib 78° - 15° (No. 1309.xx)

Main boom 88° - 45°



**Boom configuration for main boom lengths (14 m - 41 m)** – see table on page 10

**Jib configuration for jib lengths (22.7 m - 66.8 m)**

	Length	Amount of luffing jib extensions																
Luffing jib foot	5.5 m	1	1	1	1	1	1	1	1	1	1	1	1	1	1	1	1	1
Luffing jib insert	3 m		1		1		1		1		1		1		1		1	1
Luffing jib insert	6 m			1	1		1		1		1		1		1		1	1
Luffing jib insert	11.7 m	1	1	1	1	2	2	2	2	3	3	3	3	4	4	4	4	4
Luffing jib head	5.5 m	1	1	1	1	1	1	1	1	1	1	1	1	1	1	1	1	1
Luffing jib length (m)		22.7	25.7	28.7	31.7	34.4	37.4	40.4	43.4	46.1	49.1	52.1	55.1	57.8	60.8	63.8	66.8	

# Lift chart - luffing jib (No. 1309.xx)

TLT 10279385- M00000 Offiziell

Main boom angle 88°, standard counterweight

## Main boom 17 m

Radius (m)	Jib length in (m)							
	22.7 t	31.7 t	37.4 t	43.4 t	49.1 t	55.1 t	60.8 t	66.8 t
7.7	34.6							
10	27.4	24.5						
11	25.0	22.4	20.3					
12	22.7	20.8	19.2	15.7				
14	19.5	18.0	16.7	14.9	12.7			
15	18.0	16.6	15.6	14.4	12.3	9.7		
16	16.7	15.5	14.7	13.4	12.1	9.4	8.1	
17	15.7	14.6	13.8	12.7	11.5	9.2	7.9	6.3
20	13.0	12.1	11.5	10.7	10.0	8.5	7.4	5.9
24	10.6	9.9	9.4	8.8	8.2	7.4	6.7	5.4
32		7.3	6.9	6.5	6.0	5.5	5.0	4.3
38			5.7	5.3	4.9	4.5	4.0	3.5
44				4.4	4.0	3.6	3.3	2.8
50					3.4	3.0	2.6	2.2
55						2.5	2.2	

## Main boom 23 m

Radius (m)	Jib length in (m)							
	22.7 t	31.7 t	37.4 t	43.4 t	49.1 t	55.1 t	60.8 t	66.8 t
7.9	29.2							
10	24.4	20.9						
11	22.5	19.5	17.5					
13	19.1	17.2	15.8	14.1				
14	17.9	16.2	14.8	13.2	11.7			
15	16.6	15.1	13.9	12.6	11.2	9.0		
16	15.4	14.1	13.2	11.9	10.7	8.8	7.4	
18	13.7	12.7	11.7	10.7	9.6	8.4	7.2	5.8
20	12.1	11.2	10.5	9.6	8.8	7.6	6.8	5.5
24	10.0	9.2	8.7	8.0	7.3	6.6	5.8	4.9
32		6.8	6.4	5.9	5.4	4.9	4.4	3.8
38			5.3	4.8	4.4	4.0	3.6	3.1
44				4.1	3.7	3.2	2.9	2.5
50					3.1	2.7	2.3	
55						2.3		

## Main boom 29 m

Radius (m)	Jib length in (m)							
	22.7 t	31.7 t	37.4 t	43.4 t	49.1 t	55.1 t	60.8 t	66.8 t
8.1	25.9							
10	22.8	19.0						
12	19.7	17.2	15.3					
13	18.3	16.0	14.4	12.8				
14	17.2	15.1	13.7	12.2	10.5			
15	16.0	14.3	12.9	11.6	10.2	8.2		
16	15.0	13.4	12.3	11.0	9.7	8.2	6.8	
18	13.4	12.0	11.0	10.0	8.9	7.8	6.6	5.3
20	11.9	10.8	10.0	9.0	8.1	7.1	6.3	5.1
24	9.9	8.9	8.3	7.6	6.8	6.1	5.3	4.5
32		6.7	6.2	5.7	5.2	4.6	4.1	3.4
38			5.2	4.7	4.3	3.8	3.3	2.8
44				4.0	3.5	3.1	2.7	2.3
50					3.0	2.5	2.2	
55						2.2		

## Main boom 35 m

Radius (m)	Jib length in (m)							
	22.7 t	31.7 t	37.4 t	43.4 t	49.1 t	55.1 t	60.8 t	66.8 t
8.3	21.8							
11	19.0	15.5						
12	18.1	14.7	12.9					
13	17.0	14.1	12.3	10.5				
14	16.3	13.5	11.9	10.2	8.7			
16	14.5	12.3	10.9	9.4	8.2	6.9		
18	13.1	11.4	10.0	8.7	7.6	6.4	5.4	4.4
20	11.7	10.3	9.2	8.1	7.1	6.0	5.1	4.1
24	9.8	8.7	7.9	7.0	6.2	5.3	4.4	3.6
32		6.6	6.0	5.5	4.9	4.2	3.7	2.9
38			5.1	4.6	4.1	3.6	3.1	2.5
44				3.9	3.5	3.0	2.6	2.1
46					3.3	2.8	2.4	2.0
50					3.0	2.5	2.1	
55						2.2		

## Main boom 38 m

Radius (m)	Jib length in (m)							
	22.7 t	31.7 t	37.4 t	43.4 t	49.1 t	55.1 t	60.8 t	66.8 t
8.4	18.7							
11	16.3	13.4						
12	15.5	12.7	11.2					
13	14.7	12.1	10.7	9.1				
14	14.0	11.6	10.3	8.8	7.5			
16	12.6	10.5	9.3	8.1	7.0	6.0		
17	11.9	10.0	9.0	7.8	6.8	5.7	4.8	
18	11.4	9.6	8.6	7.5	6.5	5.5	4.7	3.7
20	10.5	8.8	7.8	6.9	6.0	5.1	4.3	3.5
24	9.1	7.5	6.7	5.9	5.2	4.4	3.7	3.0
32		6.1	5.4	4.7	4.1	3.4	2.9	2.2
38			4.7	4.1	3.5	2.9	2.4	
42				3.7	3.2	2.6	2.1	
44				3.6	3.1	2.5		
50					2.7	2.2		

## Main boom 41 m

Radius (m)	Jib length in (m)					
	22.7 t	31.7 t	37.4 t	43.4 t	49.1 t	55.1 t
8.5	16.8					
11	14.9	12.1				
12	14.2	11.5	10.1			
13	13.4	11.0	9.6	8.2		
14	12.7	10.5	9.3	7.9	6.7	
16	11.5	9.6	8.4	7.3	6.3	5.3
18	10.6	8.8	7.7	6.7	5.8	4.9
20	9.7	8.0	7.1	6.2	5.3	4.5
24	8.5	6.9	6.1	5.2	4.6	3.8
28		6.2	5.4	4.6	4.0	3.4
34		5.4	4.8	4.0	3.4	2.8
38			4.4	3.7	3.1	2.5
44				3.2	2.7	2.1
46					2.6	2.0
50					2.4	

Capacities in metric tonnes with luffing jib (No. 1309.xx) 34 t counterweight + 20 t carbody counterweight. Above lift chart is for reference only. For actual lift duty and complete chart with all available configurations please refer to lift chart in operator's cab or manual.

# Lift chart - luffing jib (No. 1309.xx)

TLT 10279385- M00000 Offiziell

Main boom angle 83°, standard counterweight

## Main boom 17 m

Radius (m)	Jib length in (m)							
	22.7 t	31.7 t	37.4 t	43.4 t	49.1 t	55.1 t	60.8 t	66.8 t
11.1	28.4							
14	22.2	20.5						
16	19.1	17.8	17.0					
18	16.6	15.5	14.8	13.7				
19	15.6	14.6	13.9	13.0	11.4			
22	12.9	12.2	11.7	11.0	10.2	8.3		
24	11.8	11.0	10.5	9.9	9.3	8.0	6.9	5.4
26	10.7	10.0	9.6	9.1	8.6	7.6	6.7	5.3
34		7.4	7.1	6.7	6.4	5.8	5.4	4.7
38			6.3	5.9	5.5	5.1	4.7	4.2
40			5.8	5.5	5.2	4.8	4.4	3.9
46				4.6	4.3	3.8	3.5	3.2
50					3.8	3.4	3.1	2.7
55						2.9	2.6	2.2
60							2.1	

## Main boom 23 m

Radius (m)	Jib length in (m)							
	22.7 t	31.7 t	37.4 t	43.4 t	49.1 t	55.1 t	60.8 t	66.8 t
11.9	24.6							
15	19.4	17.8						
17	16.9	15.7	14.6					
18	15.8	14.6	13.8	12.3				
20	14.0	13.1	12.3	11.3	10.2			
22	12.4	11.6	11.0	10.3	9.4	7.9		
24	11.2	10.5	10.0	9.3	8.6	7.5	6.5	
26	10.3	9.6	9.1	8.6	7.9	7.1	6.2	5.0
30		8.1	7.8	7.3	6.8	6.2	5.5	4.8
34		7.2	6.7	6.4	5.9	5.4	4.9	4.2
38			6.0	5.5	5.2	4.7	4.2	3.7
40			5.6	5.1	4.8	4.4	4.0	3.5
46				4.3	4.0	3.6	3.3	2.8
50					3.5	3.1	2.8	2.4
55						2.7	2.4	

## Main boom 29 m

Radius (m)	Jib length in (m)							
	22.7 t	31.7 t	37.4 t	43.4 t	49.1 t	55.1 t	60.8 t	66.8 t
12.6	22.7							
16	18.1	16.2						
17	17.0	15.2	13.7					
19	14.9	13.6	12.6	11.2				
22	12.6	11.6	10.7	9.9	8.9			
24	11.3	10.5	9.9	9.0	8.2	7.1	6.0	
26	10.5	9.6	9.0	8.3	7.5	6.7	5.8	4.7
30		8.2	7.8	7.2	6.6	5.9	5.3	4.4
34		7.3	6.7	6.3	5.8	5.2	4.7	4.0
36		6.8	6.3	5.9	5.5	4.8	4.4	3.8
40			5.6	5.1	4.8	4.3	3.8	3.3
44				4.6	4.2	3.8	3.4	2.9
46				4.4	3.9	3.5	3.2	2.7
50					3.5	3.1	2.8	2.3
55						2.7	2.4	

## Main boom 35 m

Radius (m)	Jib length in (m)							
	22.7 t	31.7 t	37.4 t	43.4 t	49.1 t	55.1 t	60.8 t	66.8 t
13.3	18.6							
16	16.6	13.6						
18	15.2	12.7	11.1					
20	13.7	11.7	10.4	8.9				
22	12.5	10.9	9.6	8.4	7.2			
24	11.4	10.1	9.0	7.9	6.8	5.7		
26	10.5	9.5	8.5	7.5	6.5	5.5	4.6	
28	9.7	8.8	8.1	7.1	6.2	5.3	4.4	3.6
32		7.7	7.2	6.5	5.7	4.9	4.1	3.4
36		6.8	6.3	5.8	5.2	4.5	3.9	3.1
40			5.6	5.2	4.7	4.1	3.5	2.9
42			5.3	4.9	4.4	3.9	3.4	2.7
48				4.0	3.7	3.3	2.9	2.4
50					3.5	3.1	2.7	2.2
55						2.6	2.3	

## Main boom 38 m

Radius (m)	Jib length in (m)							
	22.7 t	31.7 t	37.4 t	43.4 t	49.1 t	55.1 t	60.8 t	66.8 t
13.7	15.6							
17	13.5	11.3						
18	12.9	10.8	9.4					
20	11.7	9.9	8.8	7.6				
22	10.9	9.2	8.1	7.1	6.2			
24	10.1	8.5	7.5	6.6	5.8	4.9		
26	9.6	7.9	7.1	6.2	5.4	4.6	3.9	
28	9.1	7.5	6.7	5.9	5.2	4.4	3.7	3.0
32		6.9	6.1	5.3	4.7	4.0	3.3	2.7
36		6.3	5.6	4.9	4.2	3.6	3.0	2.4
42			4.9	4.3	3.7	3.1	2.5	
46				3.9	3.4	2.8	2.3	
48				3.8	3.3	2.7	2.2	
50					3.1	2.6	2.0	
55						2.3		

## Main boom 41 m

Radius (m)	Jib length in (m)					
	22.7 t	31.7 t	37.4 t	43.4 t	49.1 t	55.1 t
14.1	13.7					
17	12.0	9.9				
19	11.0	9.2	8.1			
22	9.8	8.1	7.2	6.2	5.3	
24	9.2	7.5	6.6	5.8	5.0	4.1
26	8.7	7.1	6.2	5.4	4.7	3.9
28	8.3	6.7	5.9	5.2	4.4	3.7
32		6.2	5.4	4.6	4.0	3.3
36		5.7	5.0	4.3	3.6	3.0
40			4.6	3.9	3.3	2.7
42			4.4	3.8	3.2	2.6
44				3.6	3.1	2.5
46				3.5	3.0	2.3
48				3.3	2.8	2.2
50					2.7	2.1

Capacities in metric tonnes with luffing jib (No. 1309.xx) 34 t counterweight + 20 t carbody counterweight. Above lift chart is for reference only. For actual lift duty and complete chart with all available configurations please refer to lift chart in operator's cab or manual.

# Lift chart - luffing jib (No. 1309.xx)

TLT 10279385- M00000 Offiziell

Main boom angle 75°, standard counterweight

**Main boom 17 m**

Radius (m)	Jib length in (m)							
	22.7 t	31.7 t	37.4 t	43.4 t	49.1 t	55.1 t	60.8 t	66.8 t
16.5	18.6							
22	13.3	12.8						
24	11.9	11.6	11.2					
26	10.7	10.5	10.3	9.8				
28	9.7	9.5	9.3	9.0	8.5			
32		7.9	7.8	7.6	7.3	6.8		
34		7.3	7.1	6.9	6.7	6.3	6.0	
36		6.7	6.6	6.4	6.2	5.8	5.5	4.7
40			5.6	5.5	5.3	5.0	4.7	4.3
42			5.2	5.1	4.9	4.7	4.4	4.0
46				4.4	4.2	4.0	3.7	3.4
48				4.1	3.9	3.7	3.5	3.1
50					3.6	3.4	3.2	2.9
55						2.8	2.6	2.4
60							2.1	

**Main boom 23 m**

Radius (m)	Jib length in (m)							
	22.7 t	31.7 t	37.4 t	43.4 t	49.1 t	55.1 t	60.8 t	66.8 t
18	15.7							
22	12.7	11.8						
26	10.3	9.9	9.4					
28	9.4	9.1	8.7	8.2				
30		8.3	8.0	7.5	7.2			
32		7.6	7.4	7.0	6.6	6.2		
36		6.4	6.3	6.0	5.6	5.3	4.9	
38		5.9	5.8	5.6	5.2	4.9	4.5	4.1
40			5.4	5.2	4.9	4.5	4.2	3.8
44			4.6	4.4	4.2	3.9	3.6	3.2
46				4.1	3.9	3.6	3.3	2.9
48				3.8	3.6	3.3	3.0	2.7
50					3.4	3.1	2.8	2.5
55					2.8	2.6	2.3	
60						2.1		

**Main boom 29 m**

Radius (m)	Jib length in (m)							
	22.7 t	31.7 t	37.4 t	43.4 t	49.1 t	55.1 t	60.8 t	66.8 t
19.6	13.2							
24	10.7							
26	9.8	9.9						
30	8.2	9.0	8.6					
32		7.7	7.3	6.8				
34		7.1	6.7	6.3	5.9			
36		6.6	6.2	5.8	5.5	5.1		
38		6.1	5.8	5.4	5.0	4.7	4.2	
40		5.6	5.4	5.0	4.7	4.3	3.9	
42		5.2	5.0	4.7	4.3	4.0	3.6	3.1
44			4.7	4.4	4.0	3.7	3.3	2.9
46			4.3	4.1	3.7	3.4	3.0	2.6
48				3.8	3.5	3.1	2.8	2.4
50				3.5	3.2	2.9	2.6	2.2
55				3.3	3.0	2.7	2.4	2.0

**Main boom 35 m**

Radius (m)	Jib length in (m)							
	22.7 t	31.7 t	37.4 t	43.4 t	49.1 t	55.1 t	60.8 t	66.8 t
21.1	11.1							
26	8.9	8.1						
28	8.2	7.5	7.1					
30	7.6	6.9	6.5	6.1				
32	7.0	6.4	6.0	5.6				
34		5.9	5.6	5.1	4.8			
36		5.5	5.2	4.8	4.4	4.0		
38		5.1	4.8	4.4	4.1	3.7	3.2	
40		4.8	4.5	4.1	3.8	3.4	3.0	2.5
42			4.2	3.8	3.5	3.1	2.7	2.2
44			3.9	3.5	3.2	2.9	2.5	2.0
46			3.6	3.3	3.0	2.6	2.3	
48				3.1	2.8	2.4	2.1	
50				2.9	2.5	2.2		
55					2.1			

**Main boom 38 m**

Radius (m)	Jib length in (m)						
	22.7 t	31.7 t	37.4 t	43.4 t	49.1 t	55.1 t	60.8 t
21.9	10.2						
26	8.5	7.7					
30	7.2	6.5	6.1				
32	6.7	6.0	5.7	5.2			
34		5.6	5.2	4.8	4.4		
36		5.2	4.8	4.4	4.1	3.6	
38		4.8	4.5	4.1	3.7	3.3	2.8
40		4.5	4.2	3.8	3.5	3.0	2.6
42		4.2	3.9	3.5	3.2	2.8	2.3
44			3.6	3.3	3.0	2.5	2.1
46			3.4	3.0	2.7	2.3	
48			3.2	2.8	2.5	2.2	
50				2.6	2.3		

**Main boom 41 m**

Radius (m)	Jib length in (m)					
	22.7 t	31.7 t	37.4 t	43.4 t	49.1 t	55.1 t
22.7	9.3					
28	7.4	6.6				
30	6.8	6.1	5.7			
32	6.3	5.7	5.3	4.8		
34	5.9	5.2	4.9	4.5	3.9	
36		4.9	4.5	4.1	3.7	
38		4.5	4.2	3.8	3.4	2.9
40		4.2	3.9	3.5	3.1	2.7
42		3.9	3.6	3.2	2.9	2.4
44			3.4	3.0	2.7	2.2
46			3.1	2.8	2.5	2.0
48			2.9	2.6	2.3	
50				2.4	2.1	

Capacities in metric tonnes with luffing jib (No. 1309.xx) 34 t counterweight + 20 t carbody counterweight. Above lift chart is for reference only. For actual lift duty and complete chart with all available configurations please refer to lift chart in operator's cab or manual.

# Lift chart - luffing jib (No. 1309.xx)

TLT 10279385- M00000 Offiziell

Main boom angle 65°, standard counterweight

## Main boom 17 m

Radius (m)	Jib length in (m)							
	22.7	31.7	37.4	43.4	49.1	55.1	60.8	66.8
	t	t	t	t	t	t	t	t
22.7	11.9							
28	9.1	8.7						
30	8.3	8.0						
32		7.3	7.1					
34		6.7	6.5					
36		6.2	6.0	5.8				
38		5.7	5.5	5.3	5.1			
40			5.1	4.9	4.7			
42			4.7	4.5	4.3	4.1		
44			4.4	4.2	4.0	3.8		
46				3.9	3.7	3.5	3.2	
48				3.6	3.4	3.2	2.9	2.6
50				3.3	3.2	2.9	2.7	2.4
55					2.6	2.4	2.2	

## Main boom 23 m

Radius (m)	Jib length in (m)							
	22.7	31.7	37.4	43.4	49.1	55.1	60.8	
	t	t	t	t	t	t	t	t
25.2	9.6							
32	7.0	6.7						
34		6.1	5.9					
36		5.6	5.4					
38		5.2	5.0	4.7				
40		4.8	4.6	4.4				
42		4.4	4.3	4.0	3.7			
44			4.0	3.7	3.5	3.1		
46			3.7	3.5	3.2	2.8		
48			3.4	3.2	3.0	2.6	2.3	
50				3.0	2.8	2.4	2.1	
55					2.2			

## Main boom 29 m

Radius (m)	Jib length in (m)							
	22.7	31.7	37.4	43.4	49.1			
	t	t	t	t	t			
27.8	7.7							
34	5.9	5.4						
36	5.4	5.0						
38		4.7	4.3					
40		4.3	4.0	3.6				
42		4.0	3.7	3.3				
44		3.7	3.5	3.1	2.8			
46			3.2	2.9	2.5			
48			3.0	2.6	2.3			
50			2.7	2.4	2.1			
55				2.0				

## Main boom 35 m

Radius (m)	Jib length in (m)							
	22.7	31.7	37.4	43.4				
	t	t	t	t				
30.3	5.9							
36	4.8	4.1						
38	4.4	3.8						
40		3.5	3.2					
42		3.3	2.9					
44		3.0	2.7	2.3				
46		2.8	2.5	2.1				
48			2.3					
50			2.1					

## Main boom 38 m

Radius (m)	Jib length in (m)						
	22.7	31.7	37.4				
	t	t	t				
31.6	5.1						
38	4.0	3.4					
40	3.7	3.1	2.8				
42		2.9	2.6				
44		2.7	2.4				
46		2.5	2.2				
48		2.3					

## Main boom 41 m

Radius (m)	Jib length in (m)						
	22.7	31.7	37.4				
	t	t	t				
32.8	4.4						
38	3.6	3.0					
40	3.3	2.7					
42		2.5	2.2				
44		2.3					
46		2.1					

Capacities in metric tonnes with luffing jib (No. 1309.xx) 34 t counterweight + 20 t carbody counterweight. Above lift chart is for reference only. For actual lift duty and complete chart with all available configurations please refer to lift chart in operator's cab or manual.



# Lift chart - luffing jib (No. 1309.xx)

TLT 10279385- M00000 Offiziell

Main boom angle 45°, standard counterweight

**Main boom 17 m**

Radius (m)	Jib length in (m)							
	22.7 t	31.7 t	37.4 t	43.4 t				
33	6.3							
36	5.5							
42		4.1						
44		3.8						
46			3.3					
48			3.1					
50			2.8	2.6				
55			2.1					

**Main boom 23 m**

Radius (m)	Jib length in (m)						
	22.7 t	31.7 t	37.4 t				
37.2	4.4						
40	3.9						
46		2.8					
48		2.6					
50			2.2				

**Main boom 29 m**

Radius (m)	Jib length in (m)							
	22.7 t							
41.5	3.0							
42	2.9							
44	2.6							

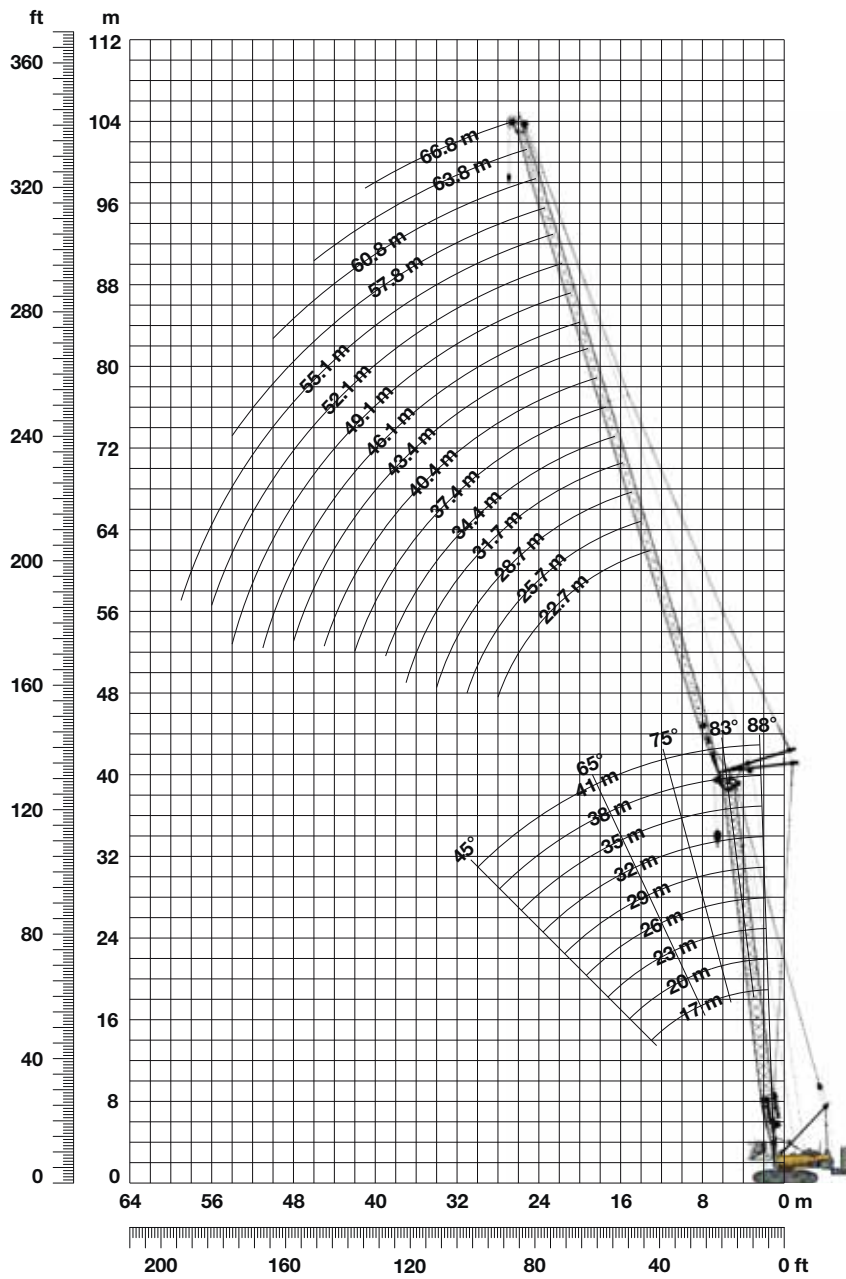
**Main boom 32 m**

Radius (m)	Jib length in (m)							
	22.7 t							
43.6	2.3							
44	2.3							
46	2.1							

Capacities in metric tonnes with luffing jib (No. 1309.xx) 34 t counterweight + 20 t carbody counterweight. Above lift chart is for reference only. For actual lift duty and complete chart with all available configurations please refer to lift chart in operator's cab or manual.

# Working range - luffing jib 78° - 15° (No. 1309.xx)

Main boom angle 88° - 45°, swinging counterweight 90°



**Boom configuration for main boom lengths (14 m – 41 m)** – see table on page 10

**Jib configuration for jib lengths (22.7 m – 66.8 m)**

	Length*	Amount of luffing jib extensions															
Luffing jib foot	5.5 m	1	1	1	1	1	1	1	1	1	1	1	1	1	1	1	1
Luffing jib insert	3 m		1		1		1		1		1		1		1		1
Luffing jib insert	6 m			1	1		1		1		1		1		1		1
Luffing jib insert	11.7 m	1	1	1	1	2	2	2	2	3	3	3	3	4	4	4	4
Luffing jib head	5.5 m	1	1	1	1	1	1	1	1	1	1	1	1	1	1	1	1
Luffing jib length (m)		22.7	25.7	28.7	31.7	34.4	37.4	40.4	43.4	46.1	49.1	52.1	55.1	57.8	60.8	63.8	66.8

# Lift chart - luffing jib (No. 1309.xx)

TLT 10279385- M00000 Offiziell

Main boom angle 88°, swinging counterweight 90°

## Main boom 17 m

Radius (m)	Jib length in (m)							
	22.7	31.7	37.4	43.4	49.1	55.1	60.8	66.8
	t	t	t	t	t	t	t	t
12				15.7				
13			17.9	15.4				
14		18.0	16.7	14.9	12.7			
15		16.6	15.6	14.4	12.3	9.7		
16		15.5	14.7	13.4	12.1	9.4	8.1	
17	15.7	14.6	13.8	12.7	11.5	9.2	7.9	6.3
18	14.8	13.8	12.9	12.1	10.9	9.0	7.7	6.2
20	13.0	12.1	11.5	10.7	10.0	8.5	7.4	5.9
24	10.6	9.9	9.4	8.8	8.2	7.4	6.7	5.4
28		8.3	8.0	7.5	7.0	6.4	5.7	4.9
32		7.3	6.9	6.5	6.0	5.5	5.0	4.3
38			5.7	5.3	4.9	4.5	4.0	3.5
44				4.4	4.0	3.6	3.3	2.8
50					3.4	3.0	2.6	2.2
55						2.5	2.2	

## Main boom 23 m

Radius (m)	Jib length in (m)							
	22.7	31.7	37.4	43.4	49.1	55.1	60.8	66.8
	t	t	t	t	t	t	t	t
11				17.5				
12		18.5		16.8				
13		17.2	15.8	14.1				
14		16.2	14.8	13.2	11.7			
15	16.6	15.1	13.9	12.6	11.2	9.0		
16	15.4	14.1	13.2	11.9	10.7	8.8	7.4	
18	13.7	12.7	11.7	10.7	9.6	8.4	7.2	5.8
20	12.1	11.2	10.5	9.6	8.8	7.6	6.8	5.5
24	10.0	9.2	8.7	8.0	7.3	6.6	5.8	4.9
32		6.8	6.4	5.9	5.4	4.9	4.4	3.8
38			5.3	4.8	4.4	4.0	3.6	3.1
44				4.1	3.7	3.2	2.9	2.5
48					3.3	2.8	2.5	2.1
50					3.1	2.7	2.3	
55						2.3		

## Main boom 29 m

Radius (m)	Jib length in (m)							
	22.7	31.7	37.4	43.4	49.1	55.1	60.8	66.8
	t	t	t	t	t	t	t	t
11		18.1						
12		17.2	15.3					
13		16.0	14.4	12.8				
14	17.2	15.1	13.7	12.2	10.5			
15	16.0	14.3	12.9	11.6	10.2	8.2		
16	15.0	13.4	12.3	11.0	9.7	8.2	6.8	
18	13.4	12.0	11.0	10.0	8.9	7.8	6.6	5.3
20	11.9	10.8	10.0	9.0	8.1	7.1	6.3	5.1
24	9.9	8.9	8.3	7.6	6.8	6.1	5.3	4.5
28		7.6	7.1	6.5	5.9	5.2	4.6	4.0
32		6.7	6.2	5.7	5.2	4.6	4.1	3.4
38			5.2	4.7	4.3	3.8	3.3	2.8
44				4.0	3.5	3.1	2.7	2.3
50					3.0	2.5	2.2	
55						2.2		

## Main boom 35 m

Radius (m)	Jib length in (m)							
	22.7	31.7	37.4	43.4	49.1	55.1	60.8	66.8
	t	t	t	t	t	t	t	t
10.2		15.8						
12	18.1	14.7	12.9					
13	17.0	14.1	12.3	10.5				
14	16.3	13.5	11.9	10.2	8.7			
16	14.5	12.3	10.9	9.4	8.2	6.9		
17	13.7	11.8	10.5	9.0	7.9	6.6	5.6	
18	13.1	11.4	10.0	8.7	7.6	6.4	5.4	4.4
20	11.7	10.3	9.2	8.1	7.1	6.0	5.1	4.1
24	9.8	8.7	7.9	7.0	6.2	5.3	4.4	3.6
32		6.6	6.0	5.5	4.9	4.2	3.7	2.9
38			5.1	4.6	4.1	3.6	3.1	2.5
44				3.9	3.5	3.0	2.6	2.1
46					3.3	2.8	2.4	2.0
50					3.0	2.5	2.1	
55						2.2		

## Main boom 35 m

Radius (m)	Jib length in (m)							
	22.7	31.7	37.4	43.4	49.1	55.1	60.8	66.8
	t	t	t	t	t	t	t	t
10.2		15.8						
12	18.1	14.7	12.9					
13	17.0	14.1	12.3	10.5				
14	16.3	13.5	11.9	10.2	8.7			
16	14.5	12.3	10.9	9.4	8.2	6.9		
17	13.7	11.8	10.5	9.0	7.9	6.6	5.6	
18	13.1	11.4	10.0	8.7	7.6	6.4	5.4	4.4
20	11.7	10.3	9.2	8.1	7.1	6.0	5.1	4.1
24	9.8	8.7	7.9	7.0	6.2	5.3	4.4	3.6
32		6.6	6.0	5.5	4.9	4.2	3.7	2.9
38			5.1	4.6	4.1	3.6	3.1	2.5
44				3.9	3.5	3.0	2.6	2.1
46					3.3	2.8	2.4	2.0
50					3.0	2.5	2.1	
55						2.2		

## Main boom 41 m

Radius (m)	Jib length in (m)					
	22.7	31.7	37.4	43.4	49.1	55.1
	t	t	t	t	t	t
10	15.7					
11	14.9	12.1				
12	14.2	11.5	10.1			
13	13.4	11.0	9.6	8.2		
14	12.7	10.5	9.3	7.9	6.7	
16	11.5	9.6	8.4	7.3	6.3	5.3
18	10.6	8.8	7.7	6.7	5.8	4.9
20	9.7	8.0	7.1	6.2	5.3	4.5
24	8.5	6.9	6.1	5.2	4.6	3.8
28		6.2	5.4	4.6	4.0	3.4
34		5.4	4.8	4.0	3.4	2.8
38			4.4	3.7	3.1	2.5
44				3.2	2.7	2.1
46					2.6	2.0
50					2.4	

Capacities in metric tonnes with luffing jib (No. 1309.xx) 34 t counterweight + 20 t carbody counterweight. Above lift chart is for reference only. For actual lift duty and complete chart with all available configurations please refer to lift chart in operator's cab or manual.

# Lift chart - luffing jib (No. 1309.xx)

TLT 10279385- M00000 Offiziell

Main boom angle 83°, swinging counterweight 90°

## Main boom 17 m

Radius (m)	Jib length in (m)							
	22.7 t	31.7 t	37.4 t	43.4 t	49.1 t	55.1 t	60.8 t	66.8 t
11.1	28.4							
14	22.2	20.5						
16	19.1	17.8	17.0					
18	16.6	15.5	14.8	13.7				
19	15.6	14.6	13.9	13.0	11.4			
22	12.9	12.2	11.7	11.0	10.2	8.3		
24	11.8	11.0	10.5	9.9	9.3	8.0	6.9	5.4
26	10.7	10.0	9.6	9.1	8.6	7.6	6.7	5.3
28		9.2	8.9	8.3	8.0	7.1	6.4	5.2
34		7.4	7.1	6.7	6.4	5.8	5.4	4.7
40			5.8	5.5	5.2	4.8	4.4	3.9
46				4.6	4.3	3.8	3.5	3.2
50					3.8	3.4	3.1	2.7
55						2.9	2.6	2.2
60							2.1	

## Main boom 29 m

Radius (m)	Jib length in (m)							
	22.7 t	31.7 t	37.4 t	43.4 t	49.1 t	55.1 t	60.8 t	66.8 t
12.6	22.7							
16	18.1	16.2						
17	17.0	15.2	13.7					
19	14.9	13.6	12.6	11.2				
22	12.6	11.6	10.7	9.9	8.9			
24	11.3	10.5	9.9	9.0	8.2	7.1	6.0	
26	10.5	9.6	9.0	8.3	7.5	6.7	5.8	4.7
30		8.2	7.8	7.2	6.6	5.9	5.3	4.4
34		7.3	6.7	6.3	5.8	5.2	4.7	4.0
36		6.8	6.3	5.9	5.5	4.8	4.4	3.8
40			5.6	5.1	4.8	4.3	3.8	3.3
46				4.4	3.9	3.5	3.2	2.7
48					3.7	3.3	3.0	2.5
50					3.5	3.1	2.8	2.3
55						2.7	2.4	

## Main boom 29 m

Radius (m)	Jib length in (m)							
	22.7 t	31.7 t	37.4 t	43.4 t	49.1 t	55.1 t	60.8 t	66.8 t
12.6	22.7							
16	18.1	16.2						
17	17.0	15.2	13.7					
19	14.9	13.6	12.6	11.2				
22	12.6	11.6	10.7	9.9	8.9			
24	11.3	10.5	9.9	9.0	8.2	7.1	6.0	
26	10.5	9.6	9.0	8.3	7.5	6.7	5.8	4.7
30		8.2	7.8	7.2	6.6	5.9	5.3	4.4
34		7.3	6.7	6.3	5.8	5.2	4.7	4.0
36		6.8	6.3	5.9	5.5	4.8	4.4	3.8
40			5.6	5.1	4.8	4.3	3.8	3.3
46				4.4	3.9	3.5	3.2	2.7
48					3.7	3.3	3.0	2.5
50					3.5	3.1	2.8	2.3
55						2.7	2.4	

## Main boom 35 m

Radius (m)	Jib length in (m)							
	22.7 t	31.7 t	37.4 t	43.4 t	49.1 t	55.1 t	60.8 t	66.8 t
13.3	18.6							
16	16.6	13.6						
18	15.2	12.7	11.1					
20	13.9	11.7	10.4	8.9				
22	12.6	10.9	9.6	8.4	7.2			
24	11.4	10.1	9.0	7.9	6.8	5.7		
26	10.6	9.5	8.5	7.5	6.5	5.5	4.6	
28	9.9	8.8	8.1	7.1	6.2	5.3	4.4	3.6
32		7.7	7.2	6.5	5.7	4.9	4.1	3.4
36		6.9	6.3	5.8	5.2	4.5	3.9	3.1
42			5.4	4.9	4.4	3.9	3.4	2.7
48				4.2	3.8	3.3	2.9	2.4
50					3.6	3.1	2.7	2.2
55						2.7	2.4	
60							2.0	

## Main boom 38 m

Radius (m)	Jib length in (m)							
	22.7 t	31.7 t	37.4 t	43.4 t	49.1 t	55.1 t	60.8 t	66.8 t
13.7	15.6							
17	13.5	11.3						
18	12.9	10.8	9.4					
20	11.7	9.9	8.8	7.6				
22	10.9	9.2	8.1	7.1	6.2			
24	10.1	8.5	7.5	6.6	5.8	4.9		
26	9.6	7.9	7.1	6.2	5.4	4.6	3.9	
28	9.1	7.5	6.7	5.9	5.2	4.4	3.7	3.0
32		6.9	6.1	5.3	4.7	4.0	3.3	2.7
36		6.3	5.6	4.9	4.2	3.6	3.0	2.4
40			5.1	4.5	3.9	3.2	2.7	2.1
42			4.9	4.3	3.7	3.1	2.5	
48				3.8	3.3	2.7	2.2	
50					3.1	2.6	2.0	
55						2.3		

## Main boom 41 m

Radius (m)	Jib length in (m)					
	22.7 t	31.7 t	37.4 t	43.4 t	49.1 t	55.1 t
14.1	13.7					
17	12.0	9.9				
19	11.0	9.2	8.1			
22	9.8	8.1	7.2	6.2	5.3	
24	9.2	7.5	6.6	5.8	5.0	4.1
26	8.7	7.1	6.2	5.4	4.7	3.9
28	8.3	6.7	5.9	5.2	4.4	3.7
32		6.2	5.4	4.6	4.0	3.3
36		5.7	5.0	4.3	3.6	3.0
40			4.6	3.9	3.3	2.7
42			4.4	3.8	3.2	2.6
44				3.6	3.1	2.5
46				3.5	3.0	2.3
48				3.3	2.8	2.2
50					2.7	2.1

Capacities in metric tonnes with luffing jib (No. 1309.xx) 34 t counterweight + 20 t carbody counterweight. Above lift chart is for reference only. For actual lift duty and complete chart with all available configurations please refer to lift chart in operator's cab or manual.

# Lift chart - luffing jib (No. 1309.xx)

TLT 10279385- M00000 Offiziell

Main boom angle 75°, swinging counterweight 90°

## Main boom 17 m

Radius (m)	Jib length in (m)							
	22.7	31.7	37.4	43.4	49.1	55.1	60.8	66.8
16.5	21.2							
22	15.1	14.5						
24	13.5	13.0	12.5					
26	12.2	11.7	11.4	10.8				
28	11.1	10.8	10.3	9.9	9.3			
32		9.1	8.8	8.4	8.1	7.2		
34		8.4	8.2	7.8	7.5	6.9	6.0	
36		7.8	7.6	7.3	6.9	6.5	5.9	4.7
40			6.6	6.3	6.1	5.7	5.3	4.5
42			6.1	5.9	5.6	5.3	4.9	4.4
48				4.8	4.7	4.3	4.1	3.6
50					4.4	4.1	3.8	3.4
55						3.5	3.2	2.8
60							2.6	2.3
65								2.1

## Main boom 23 m

Radius (m)	Jib length in (m)							
	22.7	31.7	37.4	43.4	49.1	55.1	60.8	66.8
18	18.0							
22	14.6	13.7						
26	11.8	11.5	11.0					
28	10.7	10.5	10.2	9.7				
30		9.6	9.4	8.9	8.4			
32		8.8	8.6	8.3	7.8	6.9		
36		7.5	7.3	7.1	6.8	6.3	5.6	
38		6.9	6.8	6.6	6.3	5.9	5.3	4.4
42			5.9	5.7	5.5	5.1	4.7	4.1
44			5.5	5.3	5.1	4.8	4.4	3.9
48				4.6	4.4	4.2	3.9	3.4
50					4.1	3.9	3.6	3.2
55						3.5	3.3	3.1
60							2.7	2.5
65								2.1

## Main boom 29 m

Radius (m)	Jib length in (m)							
	22.7	31.7	37.4	43.4	49.1	55.1	60.8	66.8
19.6	15.4							
24	12.4	11.6						
26	11.4	10.6	10.2					
28	10.3	9.8	9.4					
30	9.5	9.1	8.6	8.2				
32		8.4	8.0	7.6	7.2			
34		7.7	7.5	7.0	6.7	6.2		
36		7.2	7.0	6.6	6.2	5.8	5.3	
40		6.1	6.0	5.7	5.4	5.0	4.6	4.1
42			5.6	5.4	5.0	4.6	4.3	3.8
44			5.2	5.0	4.7	4.3	4.0	3.5
48				4.3	4.1	3.8	3.4	3.0
50				4.0	3.9	3.5	3.2	2.8
55					3.2	3.0	2.7	2.3
60						2.5	2.2	

## Main boom 35 m

Radius (m)	Jib length in (m)							
	22.7	31.7	37.4	43.4	49.1	55.1	60.8	66.8
21.1	13.1							
26	10.5	9.7						
28	9.7	9.0	8.5					
30	9.0	8.3	7.9	7.3				
32	8.3	7.7	7.3	6.8				
34		7.2	6.8	6.4	6.0			
36		6.7	6.3	5.9	5.5	4.9		
38		6.3	5.9	5.5	5.1	4.7	3.9	
40		5.8	5.5	5.1	4.8	4.4	3.8	3.0
44			4.9	4.5	4.2	3.8	3.4	2.9
46			4.5	4.2	3.9	3.5	3.1	2.7
48				4.0	3.6	3.3	2.9	2.5
50				3.7	3.4	3.0	2.7	2.3
55					2.9	2.5	2.2	
60						2.1		

## Main boom 38 m

Radius (m)	Jib length in (m)							
	22.7	31.7	37.4	43.4	49.1	55.1	60.8	66.8
21.9	11.6							
26	10.1	8.7						
30	8.6	7.9	7.1					
32	8.0	7.3	6.9	5.9				
34		6.8	6.4	5.7	4.9			
36		6.4	6.0	5.5	4.7	3.9		
38		6.0	5.6	5.2	4.6	3.8	3.1	
40		5.6	5.2	4.8	4.4	3.7	3.0	
42		5.3	4.9	4.5	4.2	3.6	2.9	2.2
44			4.6	4.2	3.9	3.4	2.9	2.2
46			4.3	4.0	3.6	3.2	2.7	2.1
48			4.1	3.7	3.4	3.0	2.6	2.0
50				3.5	3.2	2.8	2.4	
55					2.7	2.3	2.0	

## Main boom 41 m

Radius (m)	Jib length in (m)					
	22.7	31.7	37.4	43.4	49.1	55.1
22.7	9.7					
28	8.5	7.0				
30	8.1	6.7	5.9			
32	7.6	6.4	5.7	4.8		
34	7.1	6.2	5.4	4.7	3.9	
38		5.6	5.0	4.3	3.7	3.0
40		5.3	4.8	4.1	3.5	2.9
42		5.0	4.6	4.0	3.4	2.8
44			4.3	3.8	3.3	2.6
46			4.1	3.6	3.1	2.5
48			3.8	3.5	3.0	2.4
50				3.2	2.8	2.3
55					2.4	
60					2.0	

Capacities in metric tonnes with luffing jib (No. 1309.xx) 34 t counterweight + 20 t carbody counterweight. Above lift chart is for reference only. For actual lift duty and complete chart with all available configurations please refer to lift chart in operator's cab or manual.

# Lift chart - luffing jib (No. 1309.xx)

TLT 10279385- M00000 Offiziell

Main boom angle 65°, swinging counterweight 90°

## Main boom 17 m

Radius (m)	Jib length in (m)							
	22.7	31.7	37.4	43.4	49.1	55.1	60.8	66.8
22.7	t							
28	13.6							
32	10.4	10.1						
36		8.5	8.3					
38		7.2	7.0	6.8				
40		6.7	6.5	6.3	6.1			
42			6.1	5.8	5.6			
44			5.6	5.4	5.2	5.0		
46			5.3	5.1	4.9	4.6		
48				4.7	4.5	4.3	4.1	
50				4.4	4.2	4.0	3.8	3.5
55				4.1	3.9	3.7	3.5	3.2
60					3.3	3.1	2.9	2.6
						2.6	2.4	2.1

## Main boom 23 m

Radius (m)	Jib length in (m)							
	22.7	31.7	37.4	43.4	49.1	55.1	60.8	66.8
25.2	t							
32	11.2							
34	8.2	7.9						
38		7.2	7.0					
40		6.2	6.0	5.8				
42		5.8	5.6	5.3				
44		5.3	5.2	4.9	4.7			
46			4.8	4.6	4.4	4.0		
48			4.5	4.3	4.1	3.8		
50			4.2	4.0	3.8	3.5	3.2	
55				3.7	3.5	3.3	2.9	
60					2.9	2.7	2.4	2.1

## Main boom 29 m

Radius (m)	Jib length in (m)						
	22.7	31.7	37.4	43.4	49.1	55.1	60.8
27.8	t						
34	9.2						
36	7.0	6.6					
38	6.5	6.1					
40		5.7	5.4				
42		5.3	5.0	4.7			
44		4.9	4.7	4.3			
46		4.5	4.3	4.1	3.7		
48			4.0	3.8	3.4		
50			3.8	3.5	3.2	2.8	
55			3.5	3.3	3.0	2.6	2.3
60				2.7	2.5	2.1	

## Main boom 35 m

Radius (m)	Jib length in (m)							
	22.7	31.7	37.4	43.4	49.1	55.1	60.8	66.8
30.3	t							
36	7.3							
38	5.9	5.3						
40	5.4	4.9						
42		4.6	4.2					
44		4.3	4.0					
46		4.0	3.7	3.3				
48		3.7	3.4	3.1	2.7			
50			3.2	2.8	2.5			
55			3.0	2.6	2.3			

## Main boom 38 m

Radius (m)	Jib length in (m)							
	22.7	31.7	37.4	43.4	49.1	55.1	60.8	66.8
31.6	t							
38	6.5							
40	5.2	4.5						
42	4.8	4.2	3.8					
44		3.9	3.6					
46		3.7	3.3	2.9				
48		3.4	3.1	2.7				
50		3.2	2.9	2.5	2.2			

## Main boom 41 m

Radius (m)	Jib length in (m)					
	22.7	31.7	37.4	43.4	49.1	55.1
32.8	t					
38	5.7	4.1				
40	4.7	4.1				
42	4.4	3.8				
44		3.5	3.1			
46		3.3	2.9			
48		3.0	2.7	2.3		
50		2.8	2.5	2.1		

Capacities in metric tonnes with luffing jib (No. 1309.xx) 34 t counterweight + 20 t carbody counterweight. Above lift chart is for reference only. For actual lift duty and complete chart with all available configurations please refer to lift chart in operator's cab or manual.

# Lift chart - luffing jib (No. 1309.xx)

TLT 10279385- M00000 Offiziell

Main boom angle 45°, swinging counterweight 90°

## Main boom 17 m

Radius (m)	Jib length in (m)							
	22.7 t	31.7 t	37.4 t	43.4 t	49.1 t			
33	7.4							
36	6.5							
42		5.0						
44		4.6						
46			4.1					
48			3.8					
50			3.6	3.3				
55				2.8	2.6			
60					2.1			

## Main boom 23 m

Radius (m)	Jib length in (m)							
	22.7 t	31.7 t	37.4 t	43.4 t				
37.2	5.4							
38	5.3							
40	4.9							
46		3.6						
48		3.3						
50			2.9					
55				2.2				

## Main boom 29 m

Radius (m)	Jib length in (m)						
	22.7 t	31.7 t					
41.5	3.9						
42	3.8						
44	3.5						
50		2.4					

## Main boom 35 m

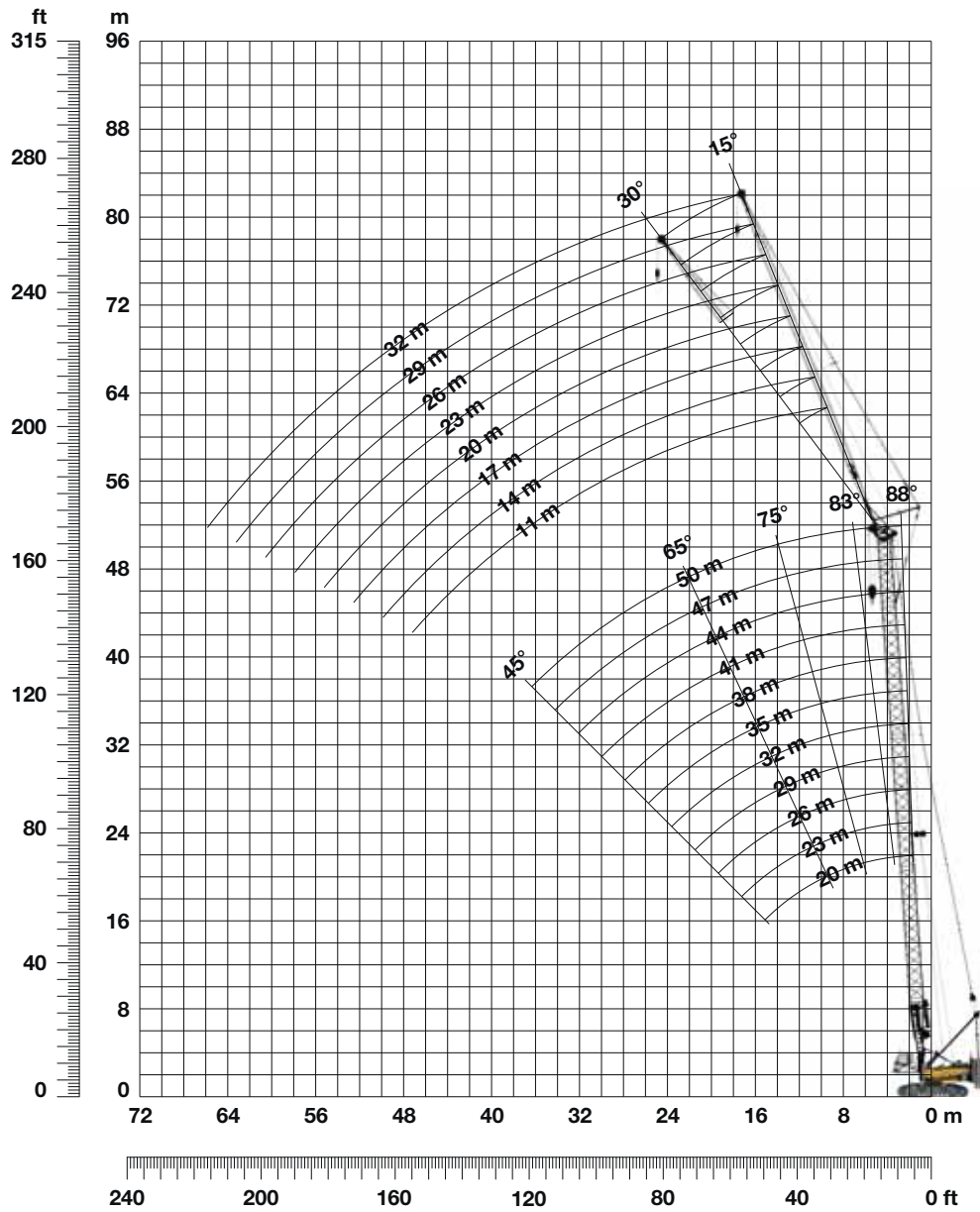
Radius (m)	Jib length in (m)							
	22.7 t							
45.7	2.5							
46	2.5							
48	2.3							

Capacities in metric tonnes with luffing jib (No. 1309.xx) 34 t counterweight + 20 t carbody counterweight. Above lift chart is for reference only. For actual lift duty and complete chart with all available configurations please refer to lift chart in operator's cab or manual.

# Working range - fixed jib 15° and 30°

(No. 0806.xx)

Main boom 88° – 45°



**Boom configuration for boom lengths (14 m – 59 m)** – see table 1 on page 10

**Fixed jib configuration for fixed jib lengths (11 m – 32 m)**

	Length	Amount of fixed jib extensions							
Fixed jib foot	5.5 m	1	1	1	1	1	1	1	1
Fixed jib insert	3.0 m		1		1		1		1
Fixed jib insert	6.0 m			1	1	2	2	3	3
Fixed jib head	5.5 m	1	1	1	1	1	1	1	1
Fixed jib length (m)		11	14	17	20	23	26	29	32



# Lift chart - fixed jib (No. 0806.xx)

TLT 10279385- M00000 Offiziell

Offset 15°, standard counterweight

## Main boom 20 m

Radius (m)	Fixed jib length in (m)			
	11 t	20 t	26 t	32 t
5.1	24.0			
9	24.0	13.9		
12	24.0	12.6	7.8	
14	23.8	11.9	7.3	5.1
16	20.0	11.3	6.8	4.9
18	17.1	10.7	6.4	4.7
20	14.9	10.2	6.0	4.5
24	11.6	9.4	5.4	4.3
28	9.3	8.7	4.9	4.1
38		6.3	4.1	3.7
44			3.8	3.5
50				3.5

## Main boom 26 m

Radius (m)	Fixed jib length in (m)			
	11 t	20 t	26 t	32 t
5.3	24.0			
9	24.0	13.6		
12	23.7	12.5	7.7	
14	22.4	11.8	7.3	5.1
18	16.9	10.8	6.6	4.7
20	14.6	10.3	6.2	4.5
28	9.1	9.0	5.1	4.0
32	7.4	7.9	4.8	3.9
34	6.7	7.2	4.6	3.8
44		4.7	4.0	3.6
48			3.9	3.6
55				3.3

## Main boom 29 m

Radius (m)	Fixed jib length in (m)			
	11 t	20 t	26 t	32 t
5.4	24.0			
9	24.0	13.3		
12	22.5	12.4	7.7	
14	21.4	11.8	7.3	5.0
16	19.3	11.3	6.9	4.9
20	14.5	10.4	6.2	4.6
28	8.9	9.1	5.2	4.1
32	7.3	7.8	4.9	3.9
36	6.0	6.4	4.5	3.8
46		4.2	4.0	3.6
50			3.7	3.5
55				3.2

## Main boom 32 m

Radius (m)	Fixed jib length in (m)			
	11 t	20 t	23 t	32 t
5.5	24.0			
10	22.7	12.9		
11	22.2	12.5	9.9	
14	20.5	11.7	9.2	5.0
16	18.8	11.2	8.8	4.9
20	14.4	10.4	8.1	4.5
28	8.8	9.1	7.0	4.1
36	5.8	6.3	6.3	3.8
40	4.8	5.3	5.4	3.6
48		3.7	3.8	3.5
50			3.5	3.5
60				2.5

## Main boom 38 m

Radius (m)	Fixed jib length in (m)			
	11 t	20 t	26 t	32 t
5.7	22.7			
10	20.6	12.4		
12	19.7	11.9	7.5	
15	18.3	11.2	7.0	4.9
16	17.9	11.0	6.9	4.8
20	13.8	10.2	6.3	4.5
28	8.5	9.1	5.4	4.2
36	5.6	6.1	4.8	3.9
40	4.6	5.0	4.6	3.7
44	3.7	4.2	4.4	3.6
50		3.1	3.4	3.5
60			2.1	2.2

## Main boom 44 m

Radius (m)	Fixed jib length in (m)			
	11 t	20 t	26 t	32 t
5.9	20.3			
10	18.8	11.7		
12	18.0	11.3	7.3	
15	16.8	10.8	6.9	4.8
16	16.3	10.6	6.8	4.7
20	13.1	10.0	6.2	4.5
28	8.2	8.5	5.5	4.2
36	5.3	5.8	4.9	3.8
44	3.4	3.9	4.1	3.7
48	2.7	3.2	3.4	3.5
50	2.4	2.9	3.1	3.3
55		2.2	2.4	2.6

## Main boom 50 m

Radius (m)	Fixed jib length in (m)			
	11 t	20 t	26 t	32 t
6.1	18.1			
10	17.0	11.0		
13	15.9	10.7	7.0	
15	15.2	10.3	6.7	4.7
16	14.9	10.1	6.6	4.6
20	12.4	9.2	6.1	4.4
28	7.5	7.6	5.4	4.1
36	4.9	5.2	4.9	3.9
44	3.2	3.5	3.6	3.7
48	2.5	2.9	3.0	3.1
50	2.2	2.6	2.7	2.8
55			2.1	2.2

## Main boom 53 m

Radius (m)	Fixed jib length in (m)			
	11 t	20 t	26 t	32 t
6.2	17.0			
10	16.0	10.6		
13	15.0	10.3	6.9	
15	14.4	10.0	6.6	4.6
16	14.1	9.8	6.5	4.6
20	11.9	8.9	6.0	4.4
28	7.2	7.4	5.4	4.1
36	4.6	4.9	4.9	3.8
40	3.7	4.0	4.1	3.6
44	3.0	3.3	3.4	3.5
48	2.3	2.6	2.8	2.8
50	2.0	2.4	2.5	2.6

## Main boom 59 m

Radius (m)	Fixed jib length in (m)		
	11 t	14 t	17 t
6.4	15.1		
8	14.8	12.8	
9	14.6	12.7	11.1
12	13.7	12.1	10.7
16	12.7	11.2	10.1
20	11.1	10.3	9.2
28	6.5	6.7	6.8
36	4.0	4.1	4.3
40	3.2	3.3	3.4
44	2.5	2.6	2.7
46	2.2	2.3	2.4
48			2.1

Capacities in metric tonnes with fixed jib (No. 0806.xx), 34 t counterweight + 20 t carbody counterweight. Above lift chart is for reference only. For actual lift duty and complete chart with all available configurations please refer to lift chart in operator's cab or manual.

# Lift chart - fixed jib (No. 0806.xx)

TLT 10279385- M00000 Offiziell

Offset 30°, standard counterweight

## Main boom 20 m

Radius (m)	Fixed jib length in (m)			
	11	20	26	32
7.7	24.0			
14	20.4	10.4		
18	17.4	9.5	5.4	
22	13.3	8.8	4.9	4.1
24	11.8	8.4	4.7	4.0
26	10.5	8.3	4.5	3.9
28	9.4	8.1	4.3	3.9
30	8.5	7.9	4.2	3.8
34		7.5	3.9	3.7
38		6.4	3.8	3.7
44			3.7	3.6
50				3.6

## Main boom 26 m

Radius (m)	Fixed jib length in (m)			
	11	20	26	32
7.9	22.2			
14	18.8	10.3		
18	16.6	9.5	5.4	
22	13.1	8.9	5.0	4.1
26	10.3	8.4	4.6	4.0
28	9.3	8.2	4.4	4.0
30	8.3	8.1	4.3	3.9
32	7.5	7.9	4.2	3.9
34	6.8	7.4	4.1	3.8
44		4.7	3.7	3.6
50			3.7	3.6
55				3.4

## Main boom 29 m

Radius (m)	Fixed jib length in (m)			
	11	20	26	32
8	20.9			
14	18.1	10.2		
18	16.2	9.5	5.4	
22	13.0	8.9	5.0	4.0
24	11.5	8.7	4.8	4.0
28	9.1	8.2	4.5	4.0
32	7.4	7.8	4.2	3.8
36	6.1	6.7	4.0	3.8
38	5.5	6.1	3.9	3.7
46		4.2	3.7	3.6
50			3.7	3.6
55				3.3

## Main boom 32 m

Radius (m)	Fixed jib length in (m)			
	11	20	26	32
8.1	19.7			
14	17.4	10.1		
18	15.8	9.4	5.4	
22	12.9	8.8	5.0	4.0
24	11.4	8.6	4.8	4.0
28	9.0	8.0	4.5	3.9
32	7.3	7.7	4.3	3.8
36	6.0	6.6	4.1	3.7
40	4.9	5.5	3.9	3.6
48		3.8	3.7	3.6
55			2.9	3.2
60				2.5

## Main boom 38 m

Radius (m)	Fixed jib length in (m)			
	11	20	26	32
8.4	17.6			
14	15.8	9.8		
18	14.5	9.1	5.4	
22	12.7	8.5	5.0	4.0
28	8.8	7.8	4.6	3.9
32	7.1	7.4	4.4	3.8
36	5.7	6.4	4.2	3.7
40	4.7	5.3	4.0	3.7
44	3.8	4.4	3.9	3.6
46	3.4	4.0	3.8	3.6
55		2.5	2.8	3.0
60			2.1	2.4

## Main boom 44 m

Radius (m)	Fixed jib length in (m)			
	11	20	26	32
8.6	15.7			
15	14.0	9.2		
18	13.3	8.7	5.3	
22	12.1	8.1	5.0	4.0
26	9.5	7.6	4.7	3.9
30	7.6	7.3	4.5	3.8
34	6.1	6.7	4.3	3.7
38	4.9	5.6	4.1	3.7
46	3.2	3.7	3.9	3.6
50	2.5	3.0	3.3	3.5
55		2.3	2.6	2.8
60			2.6	2.2

## Main boom 50 m

Radius (m)	Fixed jib length in (m)			
	11	20	26	32
8.8	14.0			
15	12.7	8.6		
19	11.9	8.0	5.2	
22	11.1	7.5	4.9	3.9
26	8.9	7.0	4.7	3.8
30	7.1	6.5	4.5	3.8
34	5.7	6.1	4.3	3.7
38	4.7	5.1	4.2	3.6
42	3.7	4.2	4.0	3.6
46	2.9	3.5	3.7	3.5
50	2.3	2.8	3.0	3.2
55		2.1	2.4	2.5

## Main boom 53 m

Radius (m)	Fixed jib length in (m)			
	11	20	26	32
8.9	13.2			
15	12.1	8.3		
19	11.3	7.8	5.1	
22	10.7	7.3	4.9	3.8
28	7.6	6.5	4.5	3.8
32	6.1	6.1	4.4	3.7
36	4.9	5.4	4.2	3.6
40	3.9	4.4	4.1	3.6
44	3.2	3.6	3.8	3.5
48	2.5	2.9	3.1	3.3
50	2.1	2.6	2.8	3.0
55			2.2	2.3

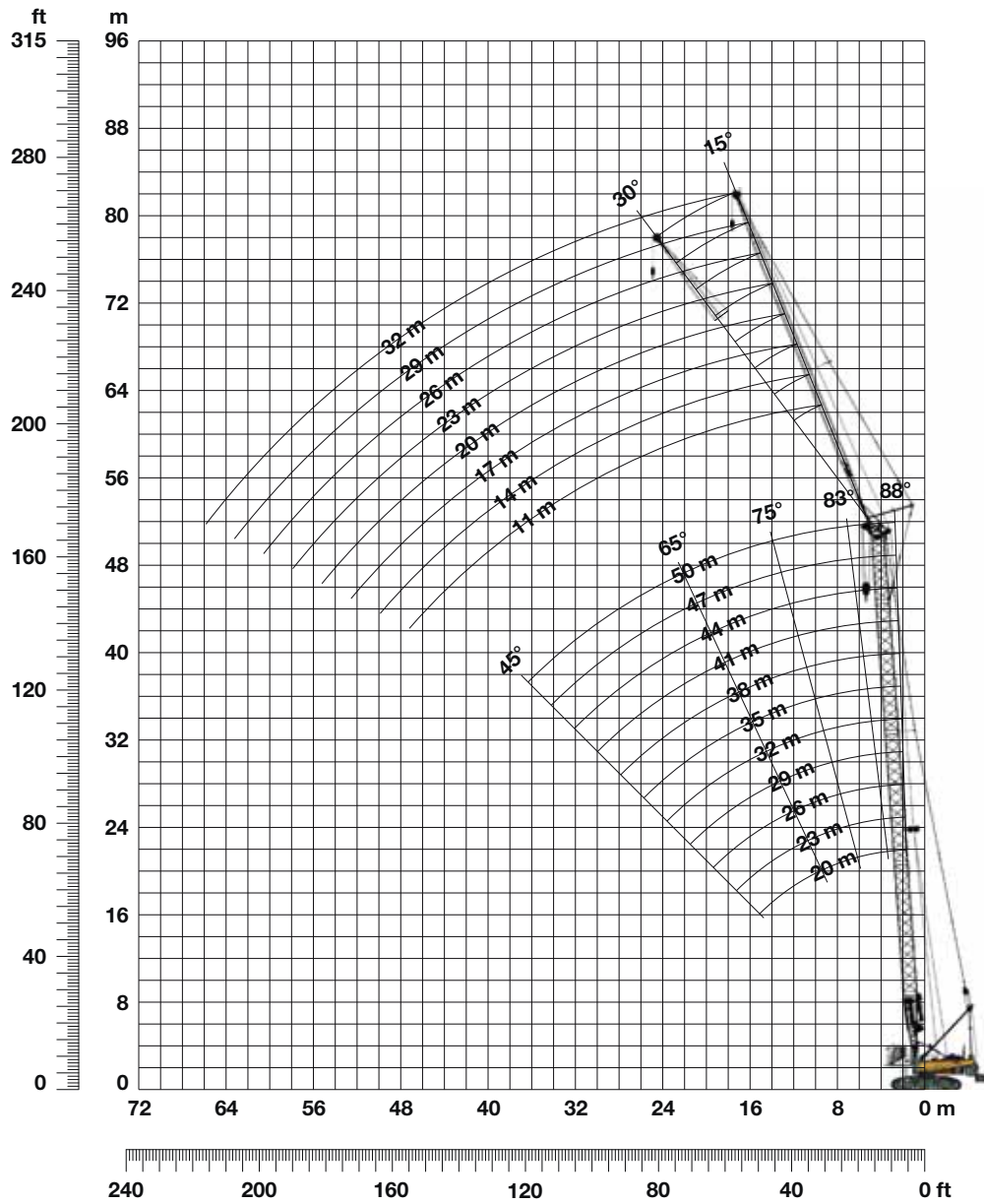
## Main boom 59 m

Radius (m)	Fixed jib length in (m)		
	11	14	17
9.1	11.8		
11	11.6	10.1	
13	11.2	9.9	8.7
16	10.7	9.5	8.6
20	10.1	9.0	8.0
28	7.0	7.2	6.9
32	5.5	5.7	5.9
36	4.3	4.5	4.7
40	3.4	3.6	3.8
44	2.7	2.8	3.0
48	2.1	2.2	2.3
50			2.1

Capacities in metric tonnes with fixed jib (No. 0806.xx), 34 t counterweight + 20 t carbody counterweight. Above lift chart is for reference only. For actual lift duty and complete chart with all available configurations please refer to lift chart in operator's cab or manual.

# Working range - fixed jib 15° and 30° (No. 0806.xx)

Main boom 88° – 45°, swinging counterweight 90°



**Boom configuration for boom lengths (14 m – 59 m)** – see table 1 on page 10  
**Fixed jib configuration for fixed jib lengths (11 m – 32 m)**

	Length	Amount of fixed jib extensions								
		1	1	1	1	1	1	1	1	1
Fixed jib foot	5.5 m	1	1	1	1	1	1	1	1	1
Fixed jib insert	3.0 m		1		1		1		1	1
Fixed jib insert	6.0 m			1	1	2	2	3	3	3
Fixed jib head	5.5 m	1	1	1	1	1	1	1	1	1
Fixed jib length (m)		<b>11</b>	<b>14</b>	<b>17</b>	<b>20</b>	<b>23</b>	<b>26</b>	<b>29</b>	<b>32</b>	

# Lift chart - fixed jib (No. 0806.xx)

TLT 10279385- M00000 Offiziell

Offset 15°, swinging counterweight 90°

## Main boom 20 m

Radius (m)	Fixed jib length in (m)			
	11 t	20 t	26 t	32 t
15	23.4			
18	19.4	10.7		
19	18.0	10.4	6.2	
20	16.9	10.2	6.0	4.5
22	14.9	9.8	5.7	4.3
24	13.2	9.4	5.4	4.3
26	11.9	9.0	5.2	4.2
28	10.7	8.7	4.9	4.1
36		7.8	4.2	3.7
38		7.3	4.1	3.7
44			3.8	3.5
50				3.5

## Main boom 26 m

Radius (m)	Fixed jib length in (m)			
	11 t	20 t	26 t	32 t
13	23.0			
16	21.1	11.3		
18	19.1	10.8	6.6	
19	17.8	10.6	6.4	4.6
20	16.6	10.3	6.2	4.5
24	13.0	9.6	5.6	4.2
28	10.5	9.0	5.1	4.0
32	8.6	8.6	4.8	3.9
34	7.8	8.3	4.6	3.8
44		5.5	4.0	3.6
48			3.9	3.6
55				3.6

## Main boom 29 m

Radius (m)	Fixed jib length in (m)			
	11 t	20 t	26 t	32 t
13	22.0			
15	20.8	11.6		
17	19.7	11.0	6.7	
18	19.0	10.8	6.6	4.7
20	16.5	10.4	6.2	4.6
24	12.8	9.6	5.7	4.3
28	10.3	9.1	5.2	4.1
32	8.5	8.6	4.9	3.9
36	7.0	7.5	4.5	3.8
46		5.0	4.0	3.6
50			3.9	3.5
55				3.5

## Main boom 32 m

Radius (m)	Fixed jib length in (m)			
	11 t	20 t	26 t	32 t
12	21.6			
15	20.0	11.5		
16	19.5	11.2	6.9	
18	18.4	10.8	6.6	4.7
24	12.7	9.6	5.7	4.3
28	10.2	9.1	5.3	4.1
32	8.3	8.7	5.0	4.0
36	6.9	7.4	4.7	3.8
40	5.8	6.2	4.4	3.6
48		4.5	4.0	3.5
55			3.6	3.5
60				3.1

## Main boom 38 m

Radius (m)	Fixed jib length in (m)			
	11 t	20 t	26 t	32 t
11	20.2			
14	18.7	11.4		
15	18.3	11.2	7.0	
17	17.5	10.8	6.7	4.7
20	15.9	10.2	6.3	4.5
28	9.9	9.1	5.4	4.2
36	6.6	7.1	4.8	3.9
40	5.5	6.0	4.6	3.7
44	4.6	5.0	4.4	3.6
50		3.9	4.0	3.5
60			2.7	2.9
65				2.3

## Main boom 44 m

Radius (m)	Fixed jib length in (m)			
	11 t	20 t	26 t	32 t
10	18.8			
13	17.6	11.2		
15	16.8	10.8	6.9	
16	16.3	10.6	6.8	4.7
20	15.0	10.0	6.2	4.5
28	9.6	8.9	5.5	4.2
36	6.3	6.9	4.9	3.8
44	4.3	4.7	4.4	3.7
50	3.2	3.6	3.8	3.6
55		2.8	3.1	3.2
60			2.4	2.6
65				2.0

## Main boom 50 m

Radius (m)	Fixed jib length in (m)			
	11 t	20 t	23 t	32 t
9	17.3			
12	16.2	10.8		
13	15.9	10.7	8.6	
15	15.2	10.3	8.3	4.7
16	14.9	10.1	8.2	4.6
20	13.3	9.2	7.7	4.4
28	9.0	7.6	6.8	4.1
36	6.1	6.3	5.9	3.9
44	4.0	4.4	4.5	3.7
48	3.3	3.7	3.8	3.6
55	2.2	2.6	2.7	2.9
60			2.1	2.3

## Main boom 53 m

Radius (m)	Fixed jib length in (m)			
	11 t	20 t	26 t	32 t
9	16.3			
12	15.3	10.5		
14	14.7	10.1	6.7	
15	14.4	10.0	6.6	4.6
16	14.1	9.8	6.5	4.6
20	12.7	8.9	6.0	4.4
28	8.7	7.4	5.4	4.1
36	5.8	6.0	4.9	3.8
44	3.9	4.2	4.3	3.5
48	3.1	3.5	3.6	3.4
55	2.0	2.4	2.6	2.7
60			2.0	2.1

## Main boom 59 m

Radius (m)	Fixed jib length in (m)		
	11 t	14 t	17 t
9	14.6	12.7	
10	14.3	12.5	11.0
12	13.7	12.1	10.7
16	12.7	11.2	10.1
20	11.7	10.3	9.2
28	8.0	8.1	7.8
32	6.4	6.5	6.6
36	5.2	5.3	5.4
40	4.2	4.3	4.4
44	3.4	3.5	3.6
48	2.7	2.8	2.9
50	2.5	2.5	2.6

Capacities in metric tonnes with fixed jib (No. 0806.xx), 34 t counterweight + 20 t carbody counterweight. Above lift chart is for reference only. For actual lift duty and complete chart with all available configurations please refer to lift chart in operator's cab or manual.

# Lift chart - fixed jib (No. 0806.xx)

TLT 10279385- M00000 Offiziell

Offset 30°, swinging counterweight 90°

## Main boom 20 m

Radius (m)	Fixed jib length in (m)			
	11	20	26	32
	t	t	t	t
17	18.4			
22	15.1	8.8		
24	13.4	8.4	4.7	
26	12.0	8.3	4.5	3.9
28	10.8	8.1	4.3	3.9
30	9.8	7.9	4.2	3.8
34		7.5	3.9	3.7
38		7.3	3.8	3.7
42			3.7	3.6
44			3.7	3.6
48				3.6
50				3.6

## Main boom 26 m

Radius (m)	Fixed jib length in (m)			
	11	20	26	32
	t	t	t	t
15	18.2			
20	15.8	9.2		
22	14.9	8.9	5.0	
24	13.2	8.6	4.8	4.1
26	11.8	8.4	4.6	4.0
28	10.6	8.2	4.4	4.0
30	9.6	8.1	4.3	3.9
32	8.7	7.9	4.2	3.9
34	7.9	7.7	4.1	3.8
44		5.6	3.7	3.6
50			3.7	3.6
55				3.6

## Main boom 29 m

Radius (m)	Fixed jib length in (m)			
	14	20	26	32
	t	t	t	t
16	14.1			
19	13.0	9.3		
22	12.0	8.9	5.0	
24	11.7	8.7	4.8	4.0
28	10.8	8.2	4.5	4.0
32	8.8	7.8	4.2	3.8
36	7.3	7.5	4.0	3.8
38	6.7	7.1	3.9	3.7
40	6.1	6.5	3.9	3.7
46		5.0	3.7	3.6
50			3.7	3.6
55				3.6

## Main boom 32 m

Radius (m)	Fixed jib length in (m)			
	11	20	26	32
	t	t	t	t
14	17.4			
18	15.8	9.4		
22	14.4	8.8	5.0	
24	13.0	8.6	4.8	4.0
28	10.4	8.0	4.5	3.9
32	8.5	7.7	4.3	3.8
36	7.0	7.3	4.1	3.7
38	6.4	7.0	4.0	3.6
40	5.8	6.4	3.9	3.6
48		4.6	3.7	3.6
55			3.6	3.6
60				3.2

## Main boom 38 m

Radius (m)	Fixed jib length in (m)			
	11	20	26	32
	t	t	t	t
13	16.1			
18	14.5	9.1		
20	14.0	8.8	5.2	
22	13.4	8.5	5.0	4.0
30	9.2	7.6	4.5	3.8
34	7.5	7.3	4.3	3.8
38	6.2	6.8	4.1	3.7
42	5.1	5.7	4.0	3.7
46	4.2	4.8	3.8	3.6
55		3.1	3.5	3.6
60			2.7	3.0
65				2.4

## Main boom 44 m

Radius (m)	Fixed jib length in (m)			
	11	20	26	32
	t	t	t	t
12	14.9			
17	13.5	8.8		
19	13.0	8.5	5.2	
22	12.4	8.1	5.0	4.0
30	8.9	7.3	4.5	3.8
34	7.2	7.0	4.3	3.7
38	5.9	6.6	4.1	3.7
42	4.9	5.5	4.0	3.6
46	4.0	4.6	3.9	3.6
50	3.2	3.8	3.8	3.5
60		2.2	2.6	2.8
65				2.2

## Main boom 50 m

Radius (m)	Fixed jib length in (m)			
	11	20	26	32
	t	t	t	t
12	13.4			
16	12.5	8.5		
19	11.9	8.0	5.2	
22	11.1	7.5	4.9	3.9
30	8.4	6.5	4.5	3.8
34	6.9	6.1	4.3	3.7
38	5.7	5.7	4.2	3.6
42	4.6	5.2	4.0	3.6
44	4.2	4.8	4.0	3.6
48	3.4	3.9	3.9	3.4
55	2.2	2.7	3.1	3.2
60		2.1	2.4	2.6

## Main boom 53 m

Radius (m)	Fixed jib length in (m)			
	11	20	26	32
	t	t	t	t
11	12.9			
16	11.9	8.3		
19	11.3	7.8	5.1	
22	10.7	7.3	4.9	3.8
30	8.1	6.3	4.5	3.7
34	6.6	5.9	4.3	3.7
38	5.5	5.5	4.2	3.6
42	4.5	4.9	4.0	3.5
46	3.6	4.1	3.9	3.4
50	2.9	3.4	3.6	3.3
55	2.1	2.6	2.9	3.1
60			2.2	2.5

## Main boom 59 m

Radius (m)	Fixed jib length in (m)		
	11	14	17
	t	t	t
11	11.6		
12	11.4	10.1	
14	11.1	9.8	8.7
16	10.7	9.5	8.6
20	10.1	9.0	8.0
28	8.4	7.7	6.9
36	5.5	5.6	5.8
40	4.4	4.6	4.8
44	3.6	3.7	3.9
48	2.9	3.0	3.2
50	2.6	2.7	2.9
55		2.0	2.2

Capacities in metric tonnes with fixed jib (No. 0806.xx), 34 t counterweight + 20 t carbody counterweight. Above lift chart is for reference only. For actual lift duty and complete chart with all available configurations please refer to lift chart in operator's cab or manual.



# Notice

